

Thinstak Magazine Rack Installation Instructions

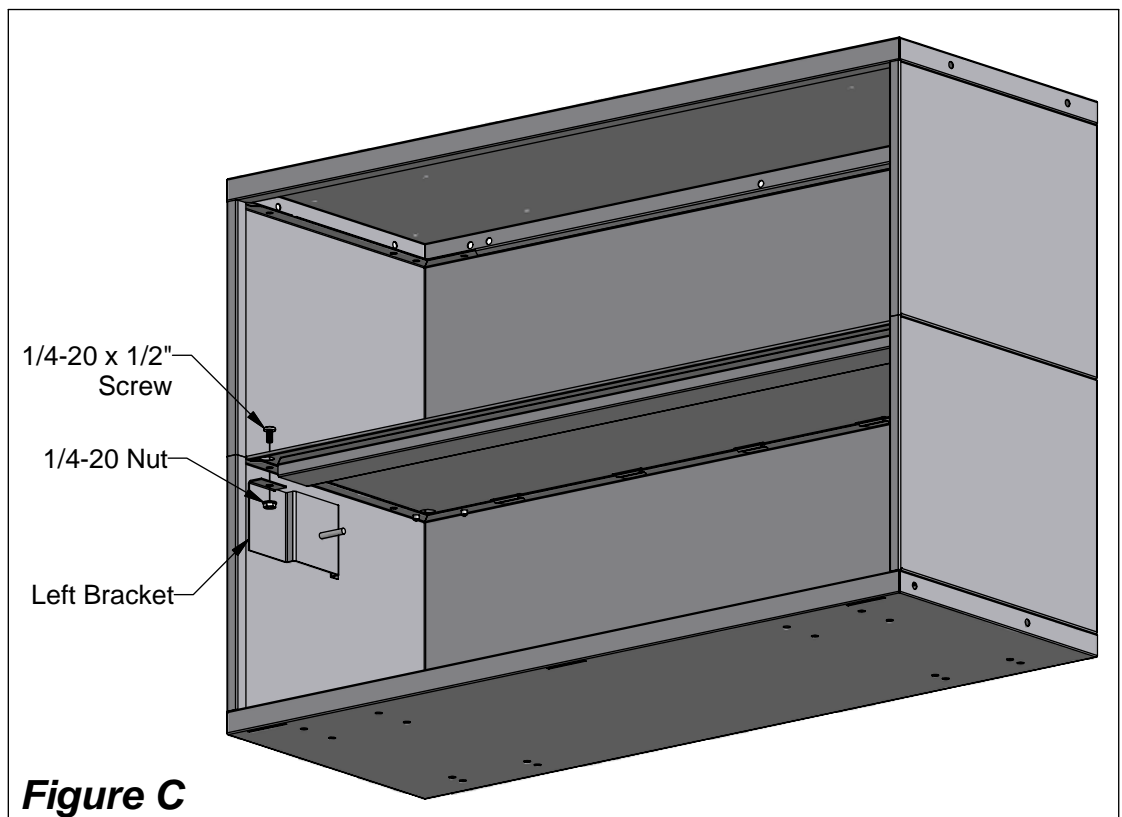
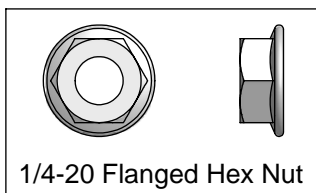
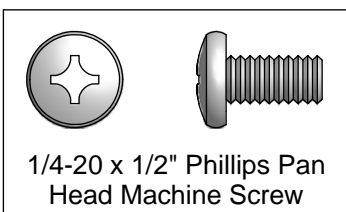
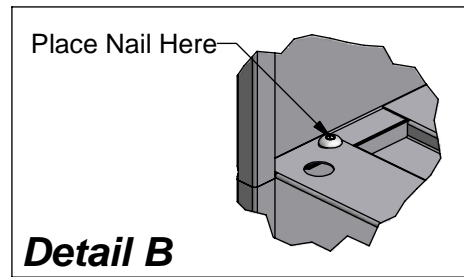
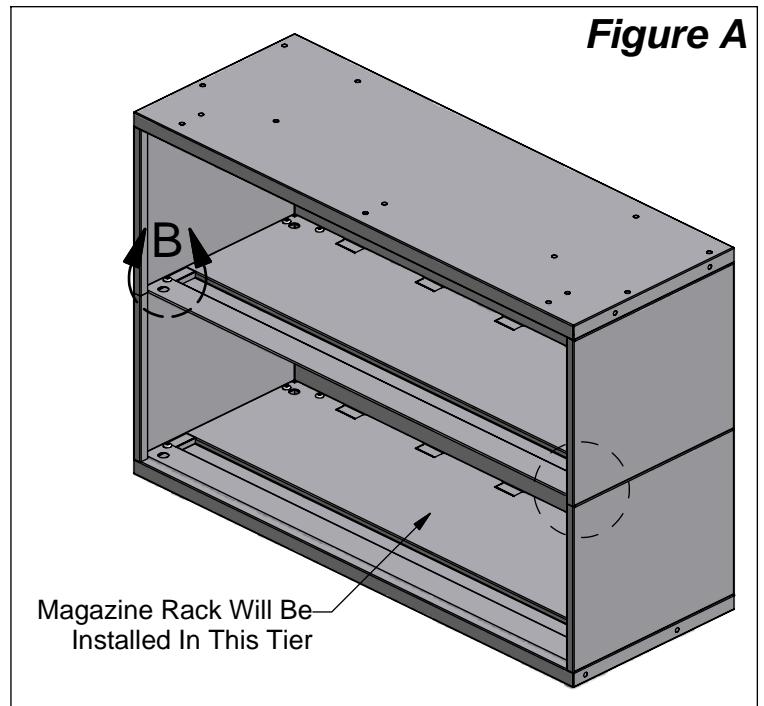
Step 1: Remove the two front rivets above the tier that will have the Magazine Rack installed in it. See **Figure A**.

Note

When installing Magazine Rack on a Thinstak unit that is currently being installed, do not install the two front drive rivets.

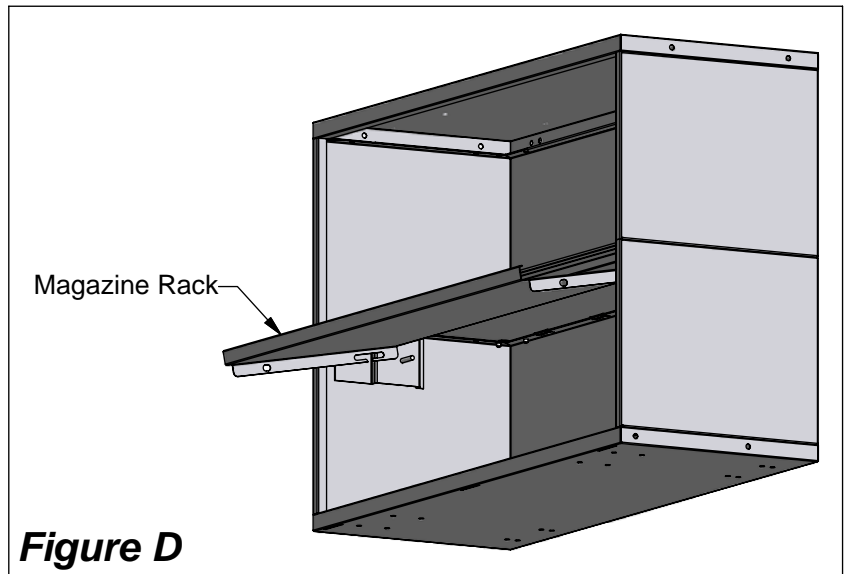
Step 2: Use a nail & hammer to remove the drive rivets. Place the pointed end of the nail in the center of the rivet & then strike the top of the nail with the hammer. The middle of the rivet should eject out the bottom. See **Detail B**.

Step 3: Attach the Left Bracket with a 1/4-20 x 1/2" Phillips Pan Head Machine Screw & Flanged Hex Nut. See **Detail C**.

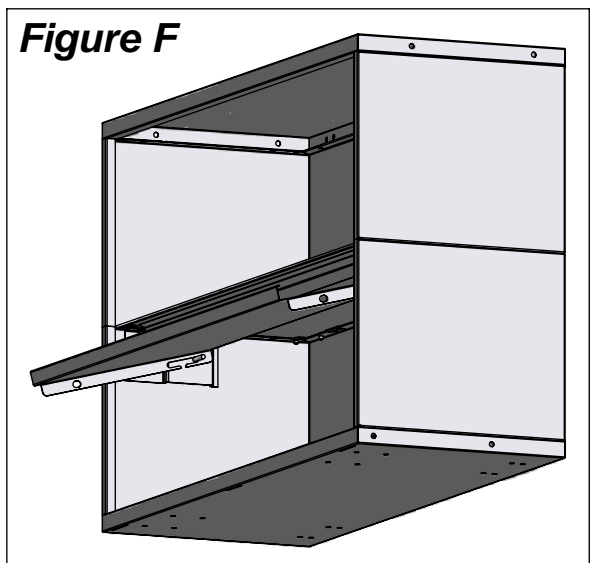
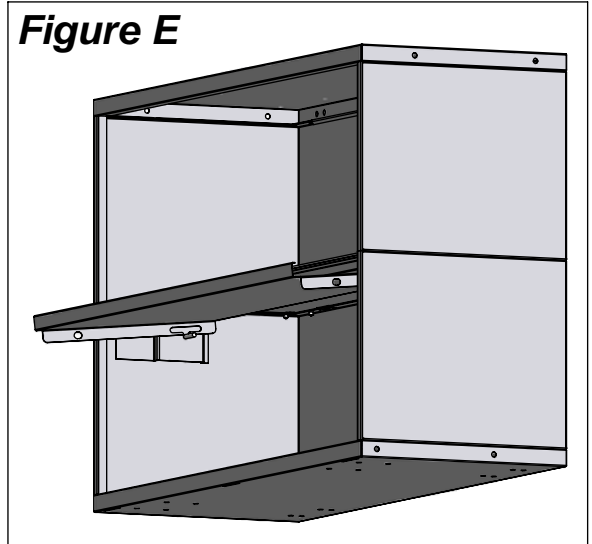
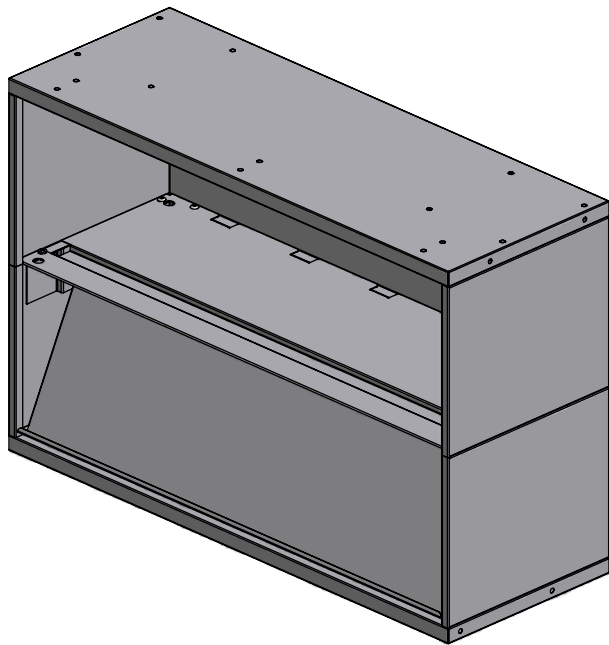


Thinstak Magazine Rack Installation Instructions

Step 4: Repeat **Step 3** for attaching the Right Bracket.



Step 5: Place slots of door over pins on brackets. Refer to **Figures D** thru **F** on how to install the Magazine Rack.



If you need assembly assistance, please contact Customer Service at:
1-866-217-0330 (Monday thru Friday 8:00 AM - 5:00 PM E.S.T.)