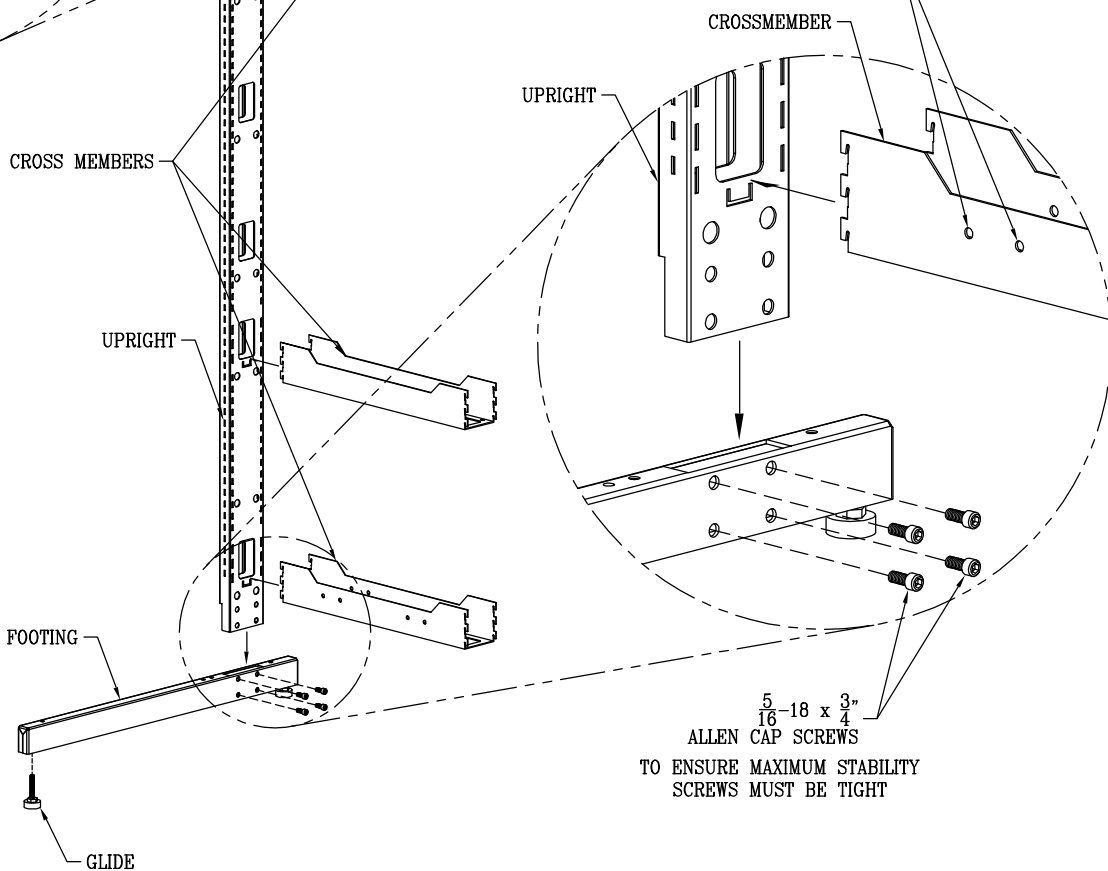




USE A RUBBER Mallet TO FULLY SEAT CROSS MEMBERS INTO SLOT. YOU WILL HEAR A NOTICEABLE "CLICK" WHEN CROSSMEMBER IS IN ITS LOCKED POSITION.

NOTE: BE SURE CROSSMEMBER WITH THESE HOLES ARE IN VERY BOTTOM SLOTS OF UPRIGHT



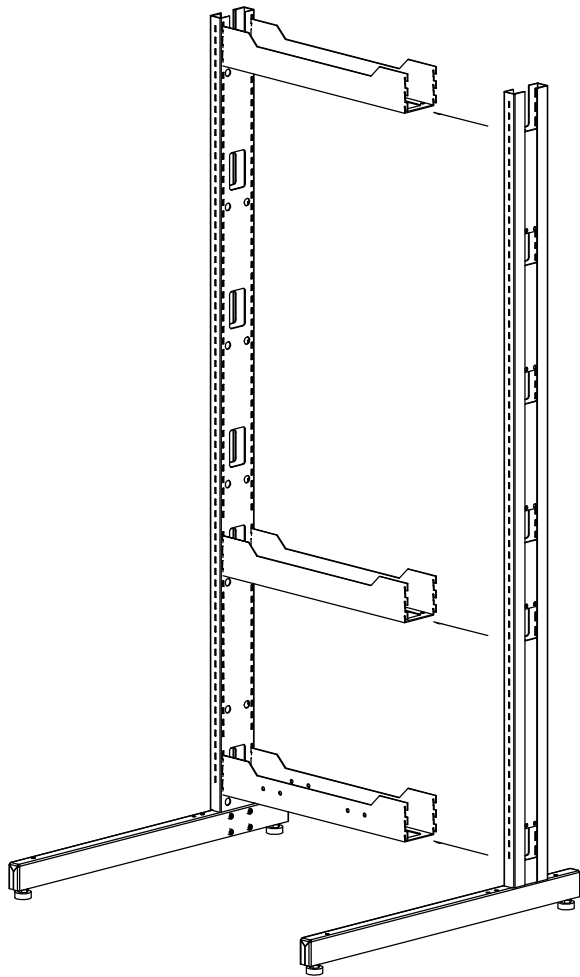
5/16-18 x 3/4"
ALLEN CAP SCREWS
TO ENSURE MAXIMUM STABILITY
SCREWS MUST BE TIGHT

VERY IMPORTANT !!!!!
ATTACH ALL CROSS MEMBERS TO ONLY ONE
UPRIGHT AT A TIME.

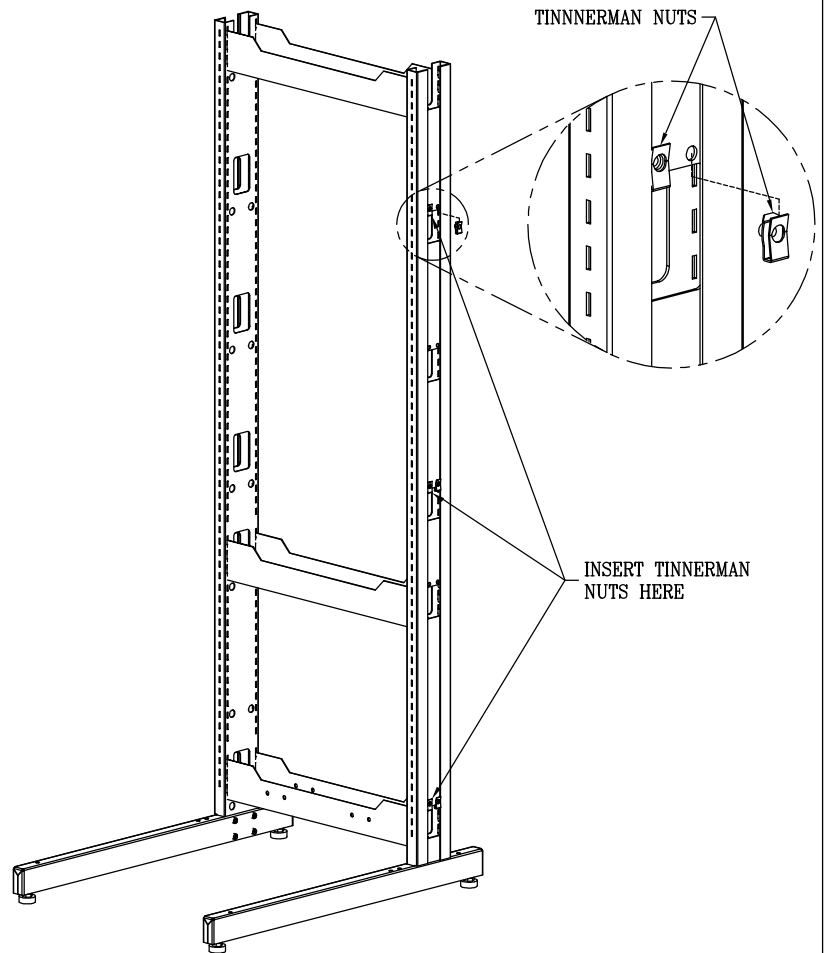
Step 1: Insert glides into footing (2 per footing).

Step 2: Insert upright into footing. Using the Allen key supplied secure footing to upright with (4) 5/16-18 x 3/4" Allen cap screws.

Step 3: Attach all (3) crossmembers to ONE upright only as shown. Use a rubber mallet to fully seat each crossmember into the slots. You will hear a noticeable "click" when crossmember is in locked position. The Bottom Crossmember has holes on its sides (see note on illustration).



STEPS 4 & 5



ATTACHING UNITS TOGETHER
(SEE ALSO ILLUSTRATIONS ON BACK)

Step 4: Assemble remaining footing to remaining upright (follow steps 1 & 2).

Step 5: Attach upright to previously assembled footing, upright & crossmembers. Be sure to fully seat all crossmembers into upright. Use a rubber mallet to lock them into the upright.

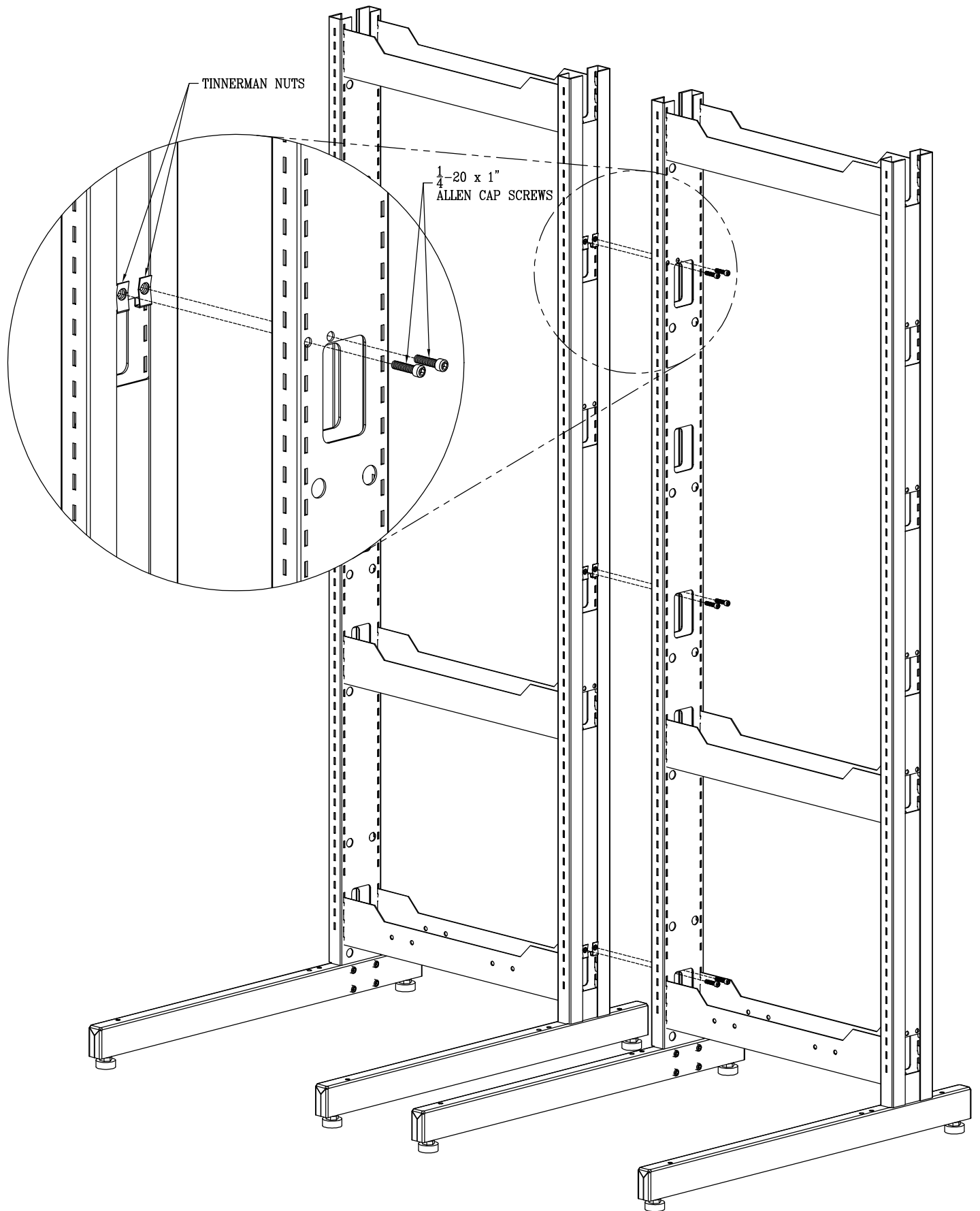
Your frame assembly is now complete. Repeat Steps 1-5 for additional units.

ATTACHING UNITS TOGETHER:

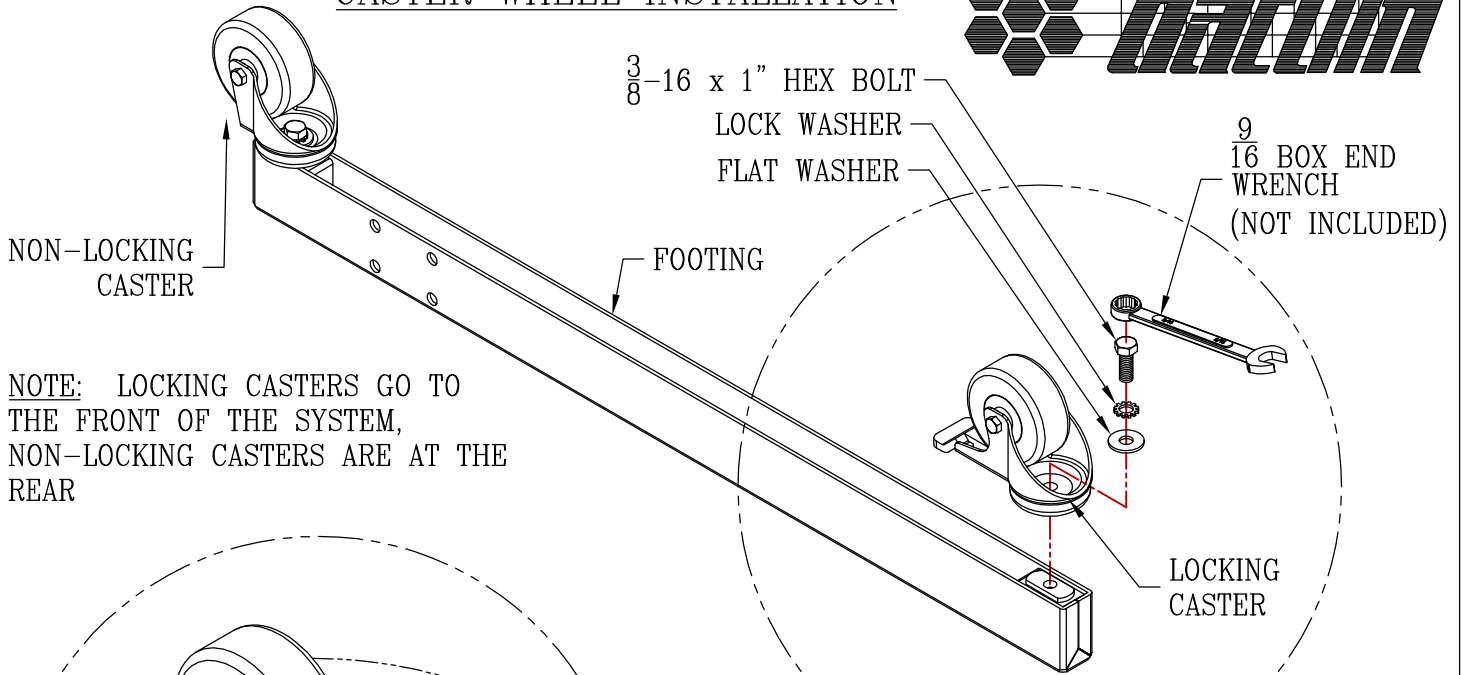
When attaching units together, you will need a Panel Connector Kit (part # tf-01003).

Step 1: Insert (6) Tinnerman nuts onto upright as shown in illustration. Typically one pair of Tinnerman nuts go on very top slot of upright, one pair is on the very bottom upright slot & the third pair is in a middle upright slot. This configuration (as illustrated) may change due to attaching different size frames.

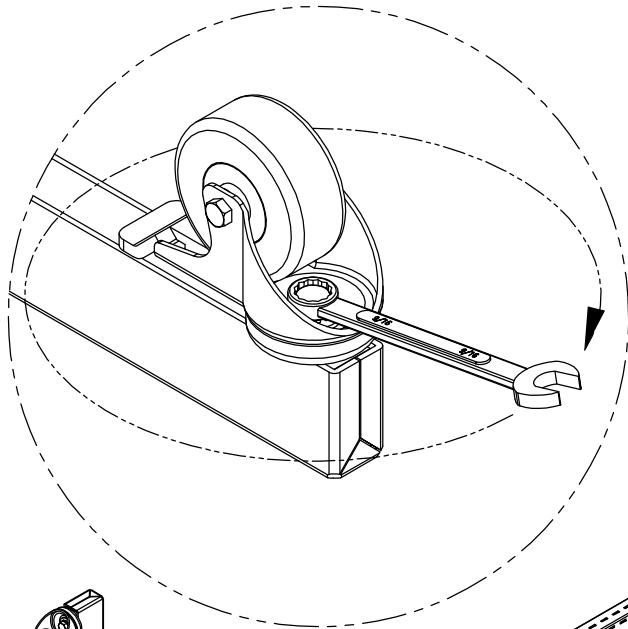
Step 2: Slide units to be attached together. Use (6) 1/4-20 x 1" Allen cap screws to secure (with Allen key provided).



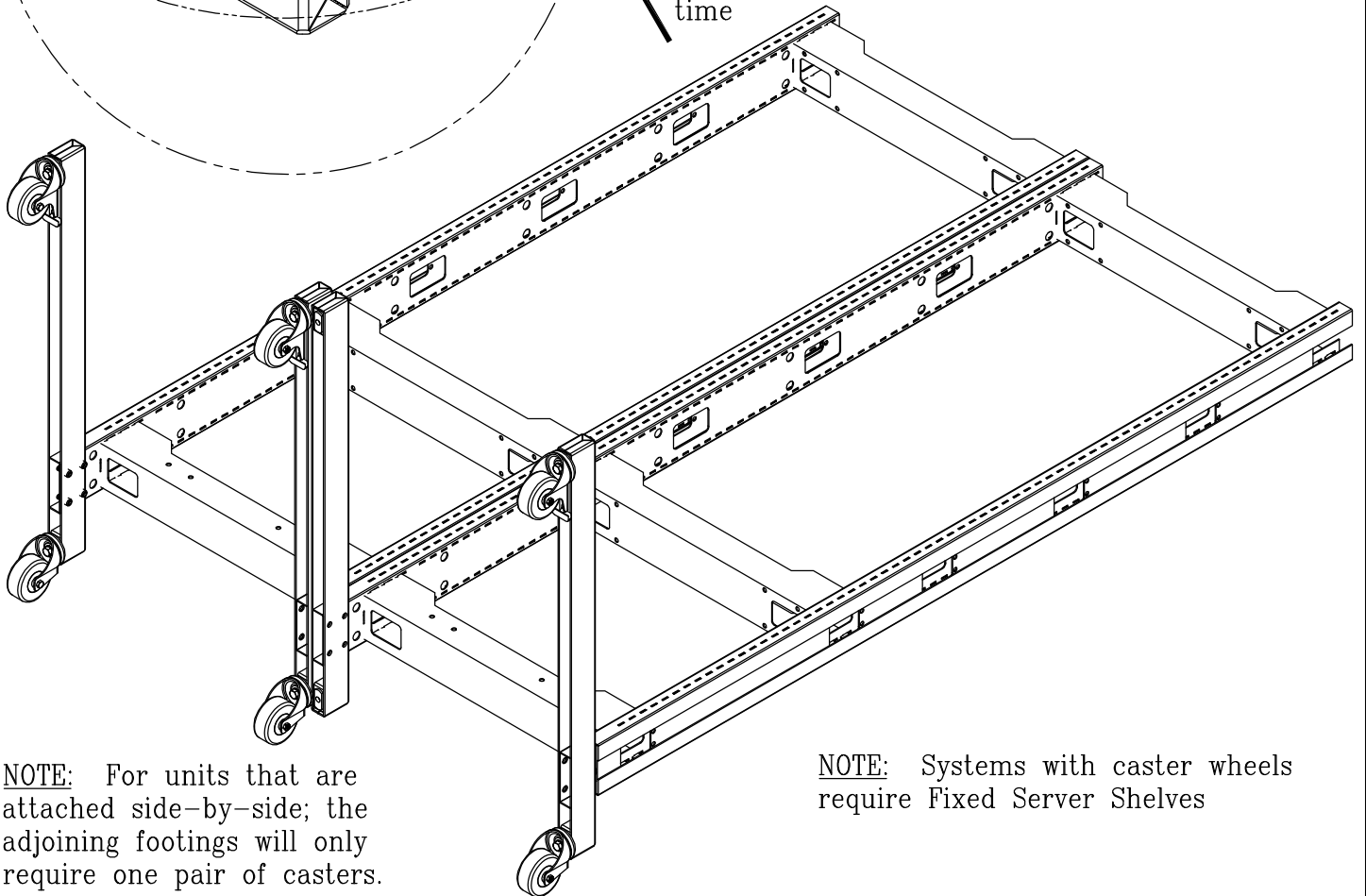
CASTER WHEEL INSTALLATION



NOTE: LOCKING CASTERS GO TO THE FRONT OF THE SYSTEM, NON-LOCKING CASTERS ARE AT THE REAR

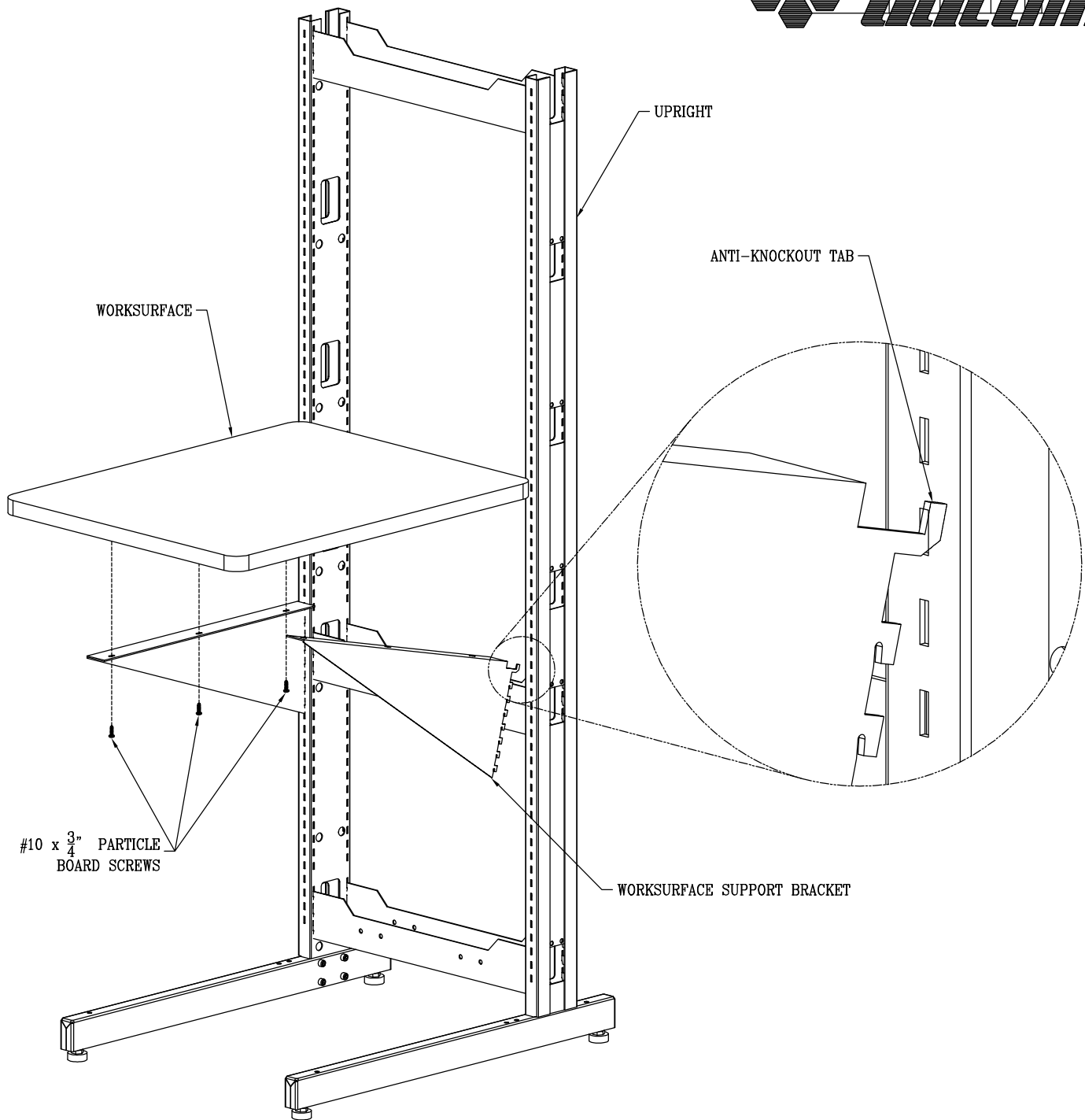
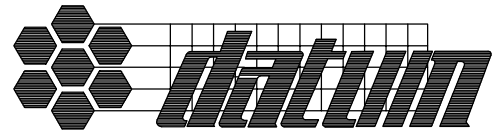


NOTE: Start bolt & washers by hand and then tighten with a 9/16 box end wrench (NOT INCLUDED). You may find it easier to attach the caster to the footing if you turn the caster with the bolt & wrench at the same time



NOTE: For units that are attached side-by-side; the adjoining footings will only require one pair of casters.

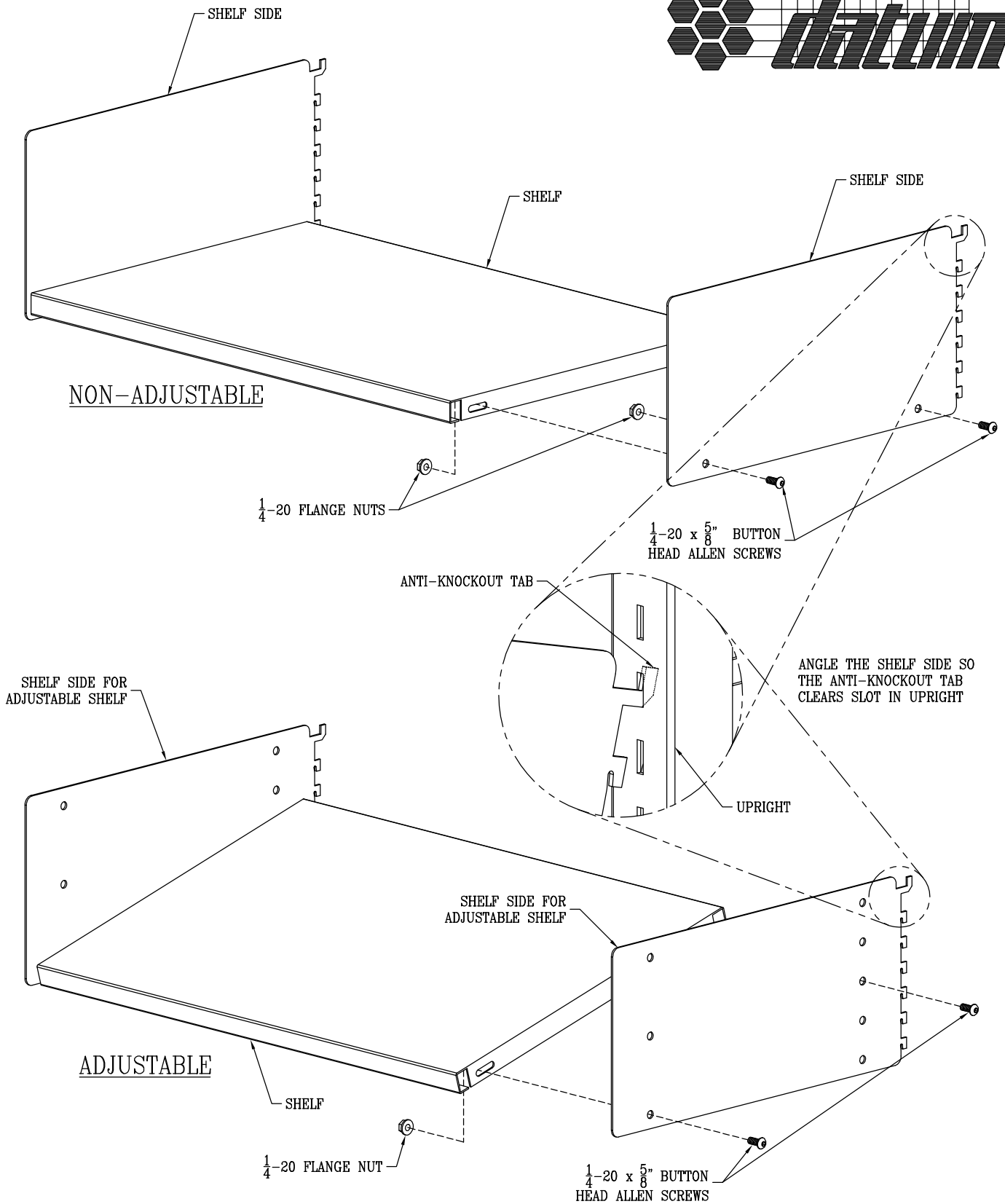
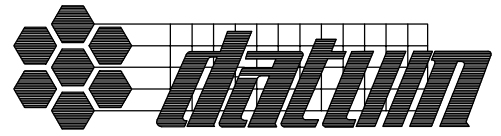
NOTE: Systems with caster wheels require Fixed Server Shelves



TO ATTACH WORKSURFACES TO YOUR T.F.S.

Step 1: Insert (2) worksurface support brackets into the uprights at the desired height. Make sure flange with 3 holes is toward inside of unit. Note: You will have to angle the bracket so that the anti-knockout tab clears the slot (see illustration). You may need to use a rubber mallet to fully seat brackets into slots.

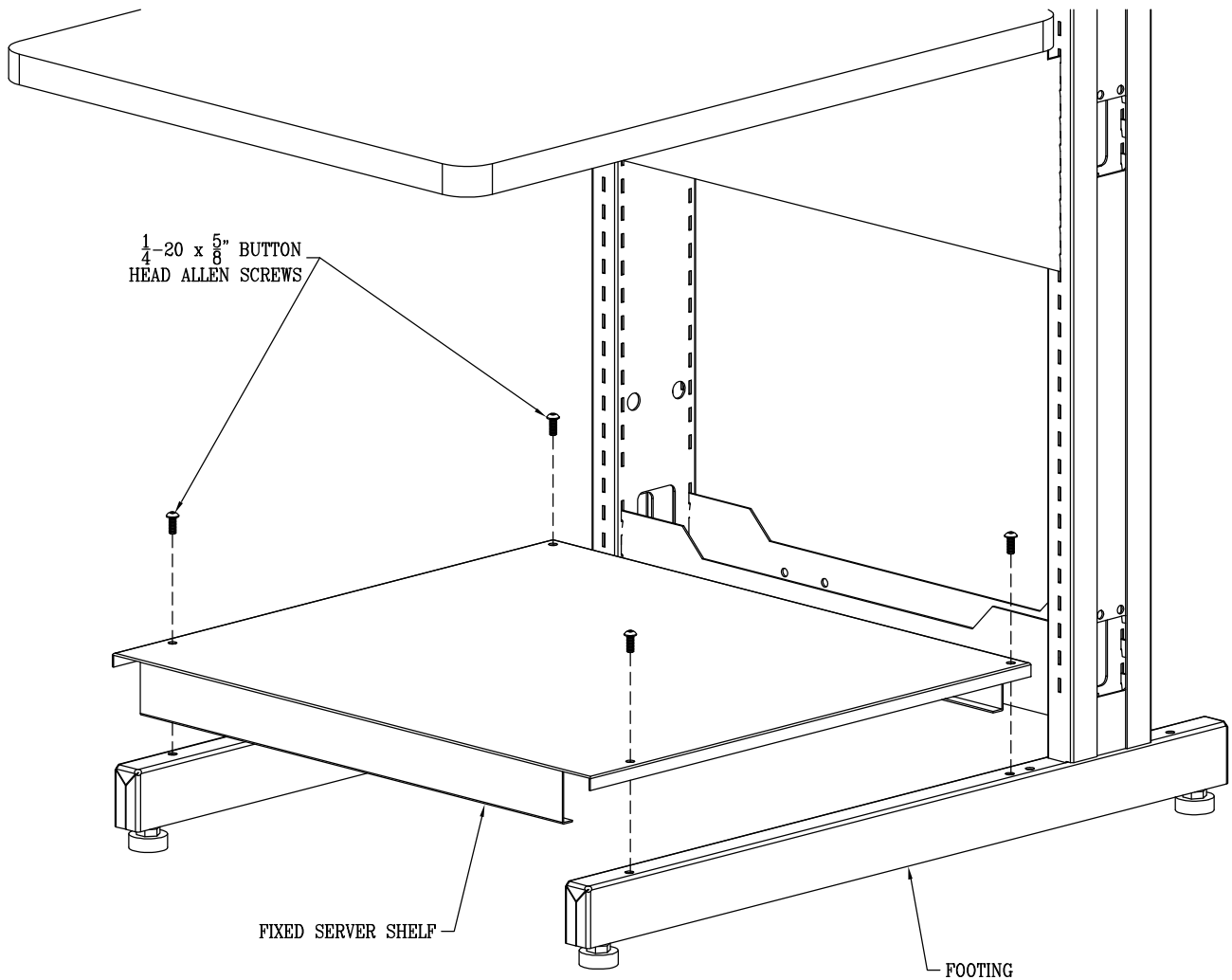
Step 2: Center worksurface on top of the support brackets. Secure worksurface to brackets using (6) #10 x 3/4" particle board screws (3 per bracket).



ASSEMBLY OF ADJUSTABLE & NON-ADJUSTABLE SHELVES FOR T.F.S.

Step 1: Attach shelf sides to shelf using (4) $\frac{1}{4}$ -20 x $\frac{5}{8}$ " button head Allen screws & flange nuts (with Allen key provided).

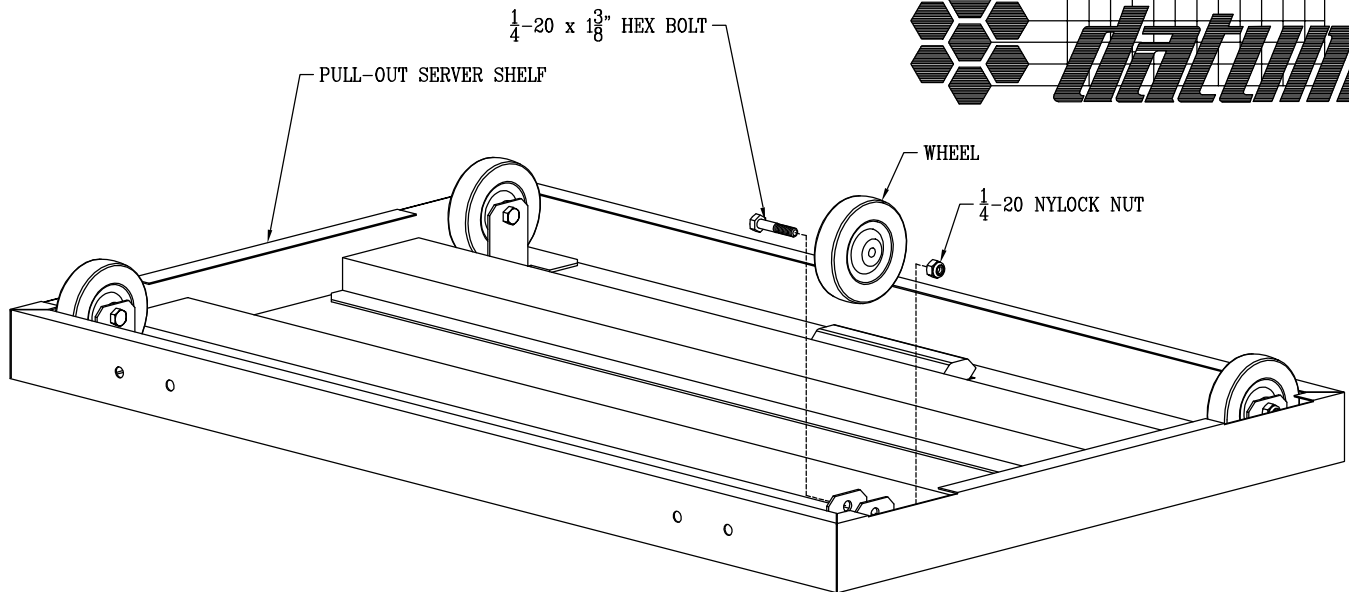
Step 2: Attach shelf to uprights at desired height. Note: You will have to angle the shelf so that the anti-knockout tab clears the slot in the upright (see illustration).



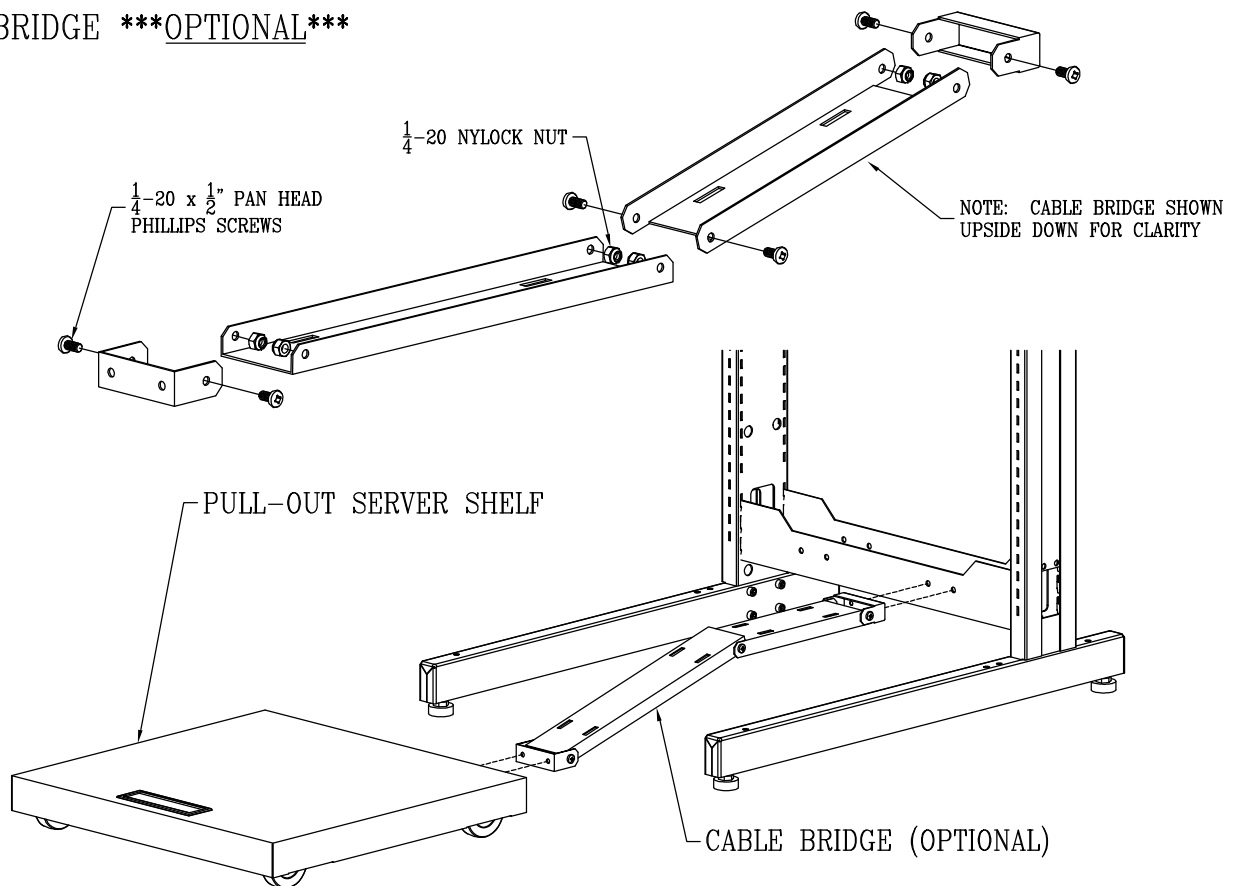
TO ATTACH FIXED SERVER SHELF TO YOUR T.F.S.

Step 1: Place fixed server shelf on top of footings. Note position of holes in shelf. Position so that front of server shelf is flush with front of footings.

Step 2: Secure shelf to footing using (4) 1/4-20 x 5/8" button head Allen screws with Allen key provided.



CABLE BRIDGE ***OPTIONAL***



TO ASSEMBLE PULL-OUT SERVER SHELF FOR YOUR T.F.S.

Step 1: Attach wheels to shelf using $\frac{1}{4}$ -20 x $1\frac{3}{8}$ " hex bolts & $\frac{1}{4}$ -20 nylock nuts (DO NOT OVER TIGHTEN).

OPTIONAL Assembly of cable bridge.

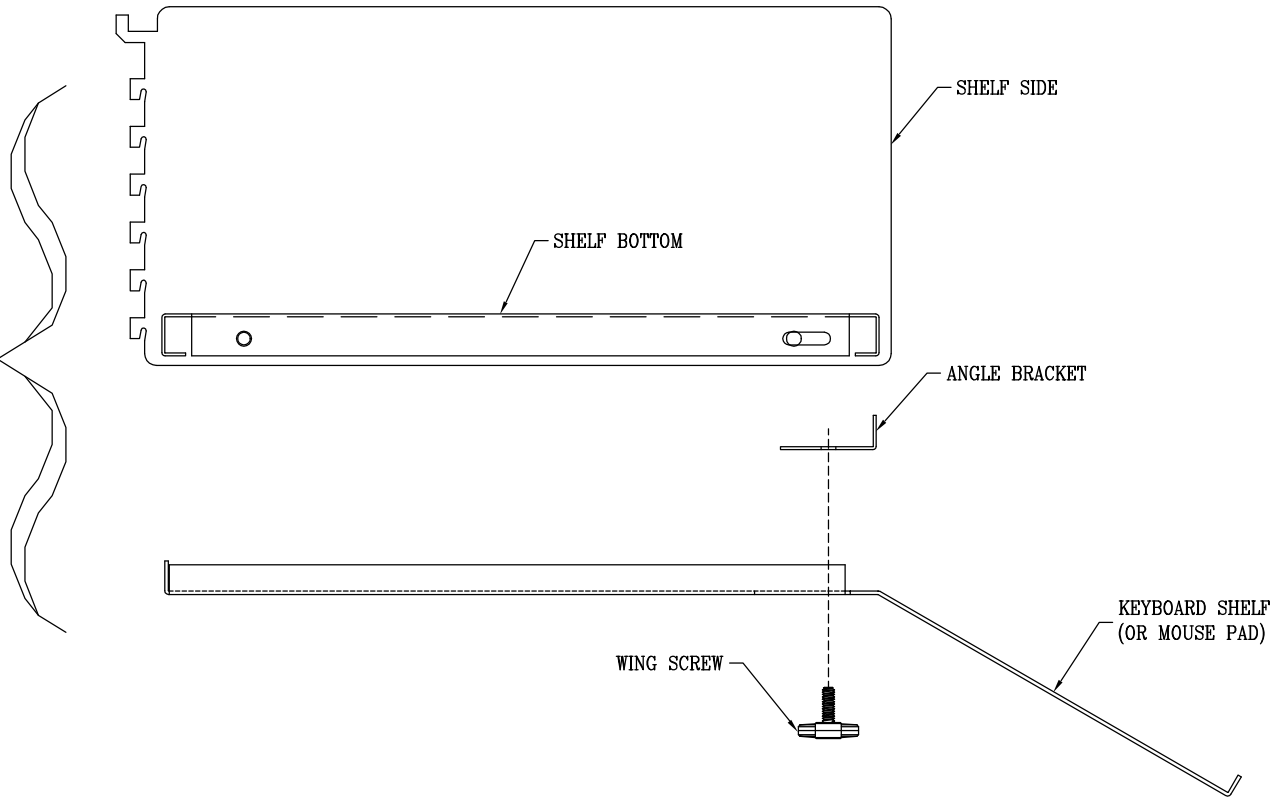
Step 1: Assemble cable with $\frac{1}{4}$ -20 x $\frac{1}{2}$ " pan head Phillips screws and nuts as shown in illustration.

Step 2: Attach bridge to shelf & bottom crossmember using $\frac{1}{4}$ -20 x $\frac{1}{2}$ " pan head Phillips screws and nuts.

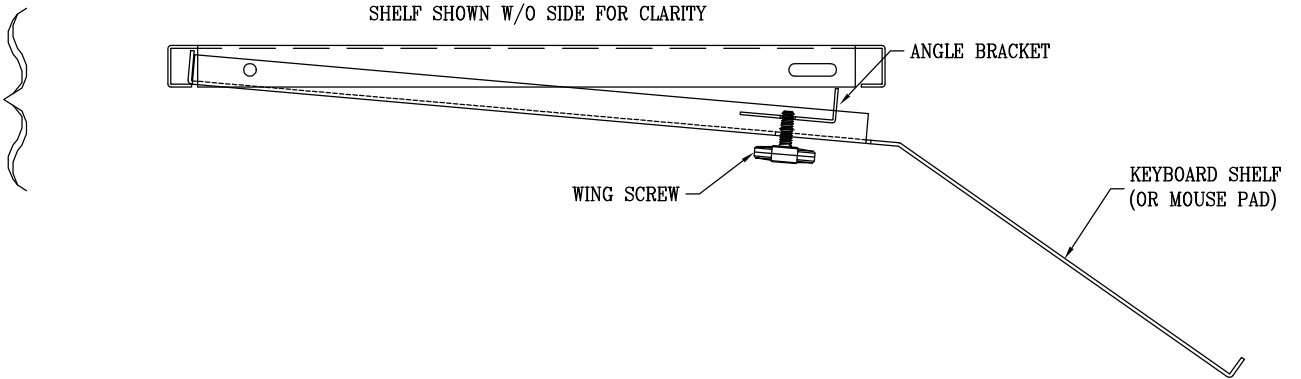
INSTALLATION OF UNDER SHELF KEYBOARD HOLDER OR MOUSE PAD



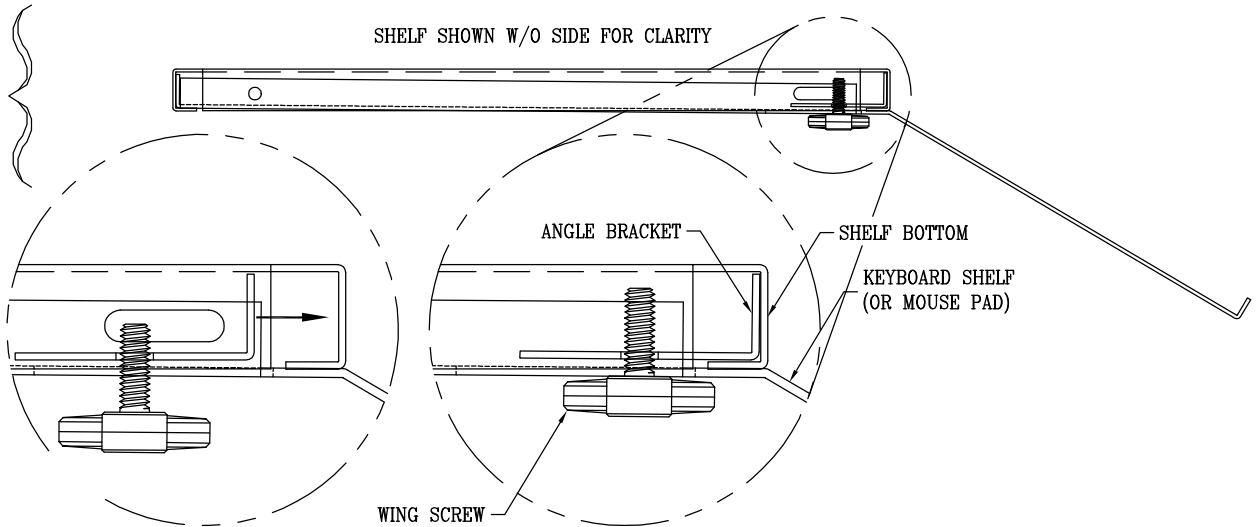
STEP 1

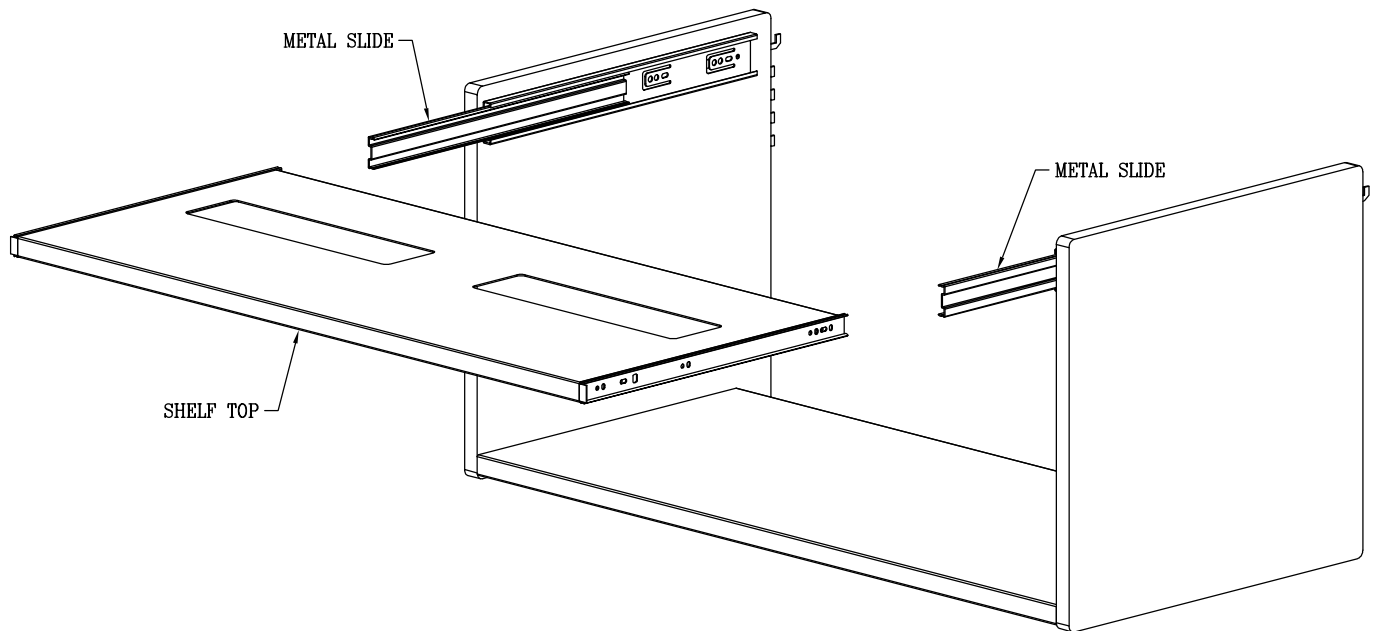
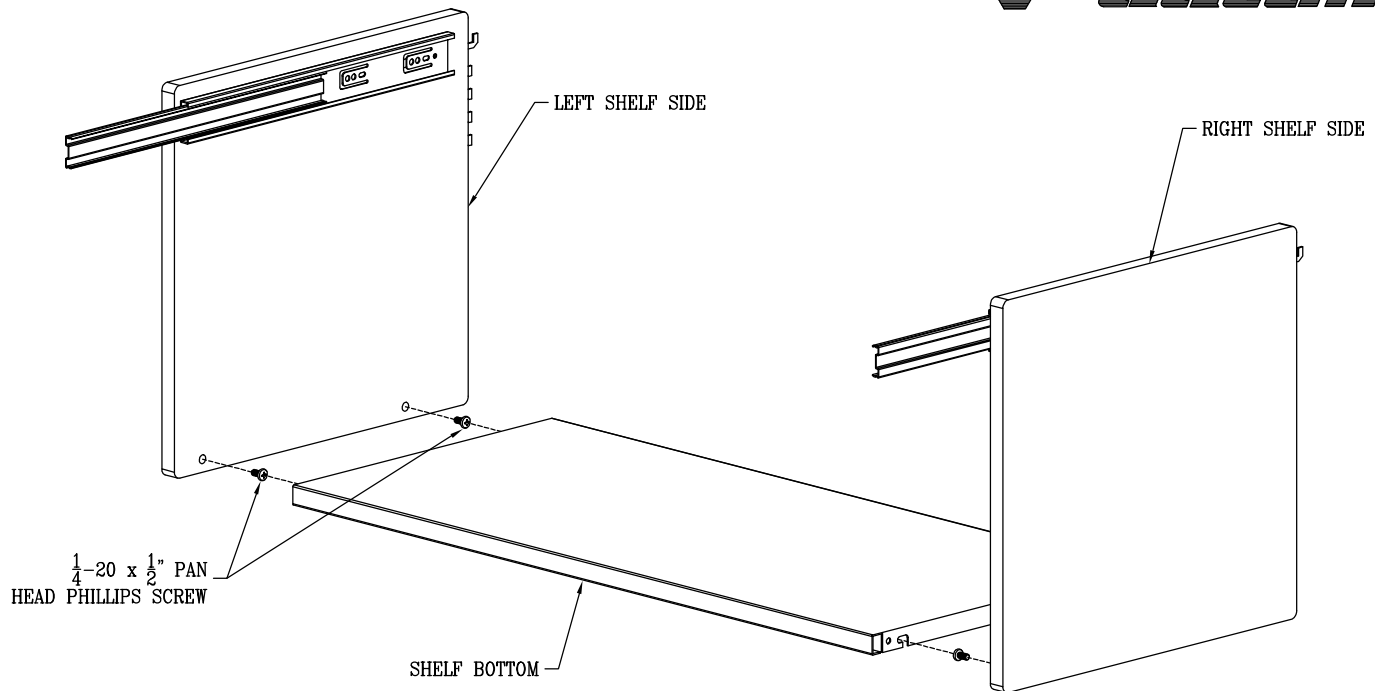


STEP 2



STEP 3





ASSEMBLY OF PULL-OUT PRINTER SHELF

Step 1: Insert 1/4-20 x 1/2" pan head Phillips screws into the pre-drilled holes on each shelf side (2 screws per side). ONLY TIGHTEN SCREWS HALFWAY.

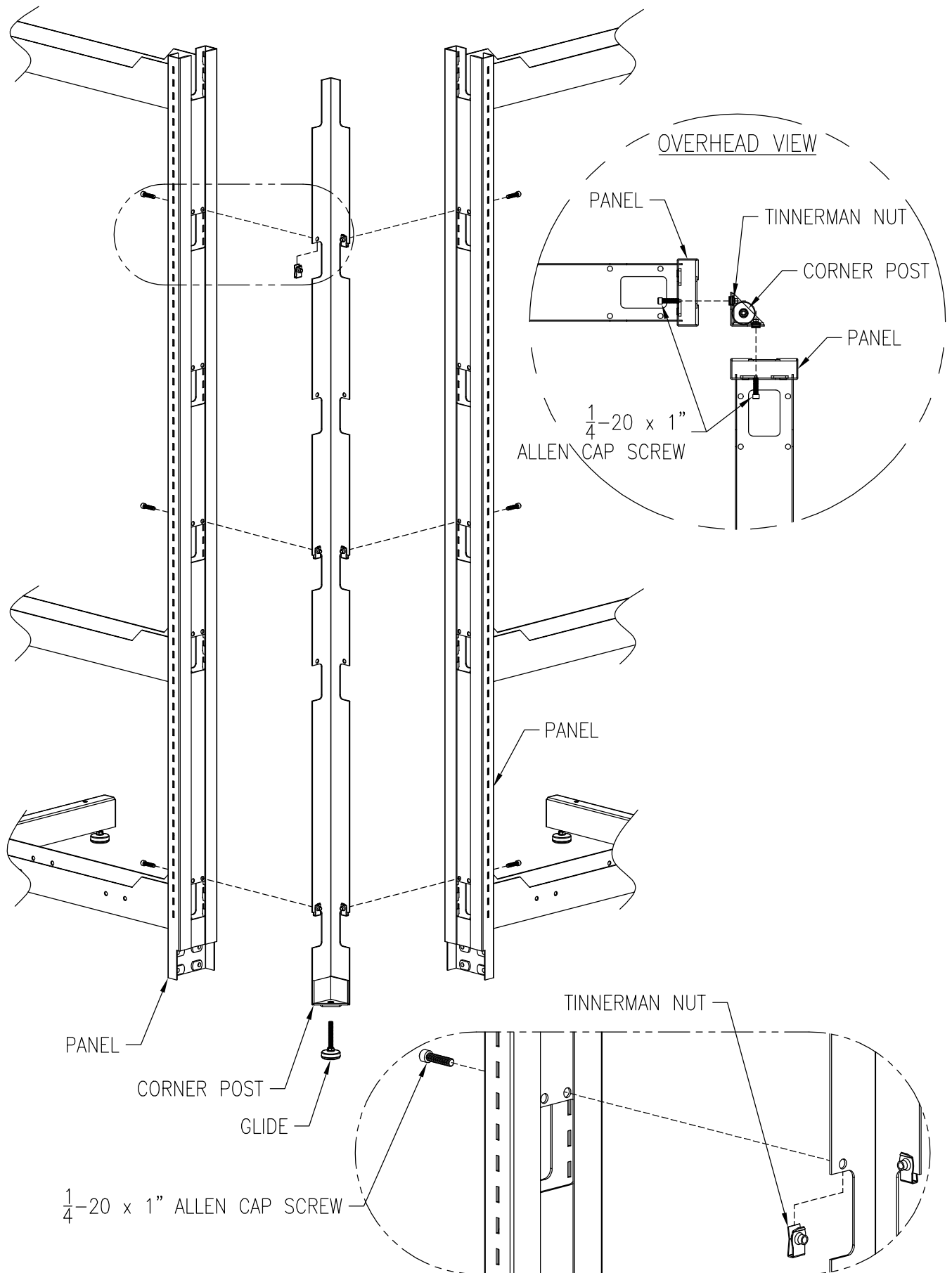
Step 2: Mount shelf sides in the desired location on your T.F.S. MAKE SURE SHELF SIDES ARE AT EVEN HEIGHTS.

Step 3: Attach the shelf bottom by inserting the 1/4-20 x 1/2" pan head Phillips screws on each shelf side into the slots on either side of the shelf bottom. Slide the shelf bottom as far back as it will go (be sure shelf locks into place).

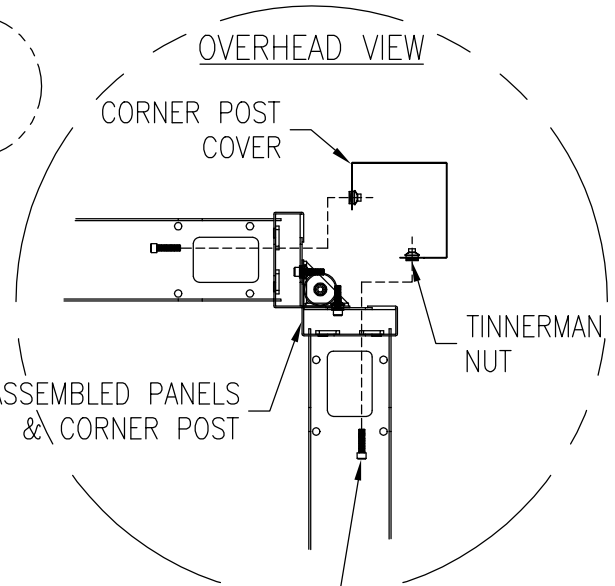
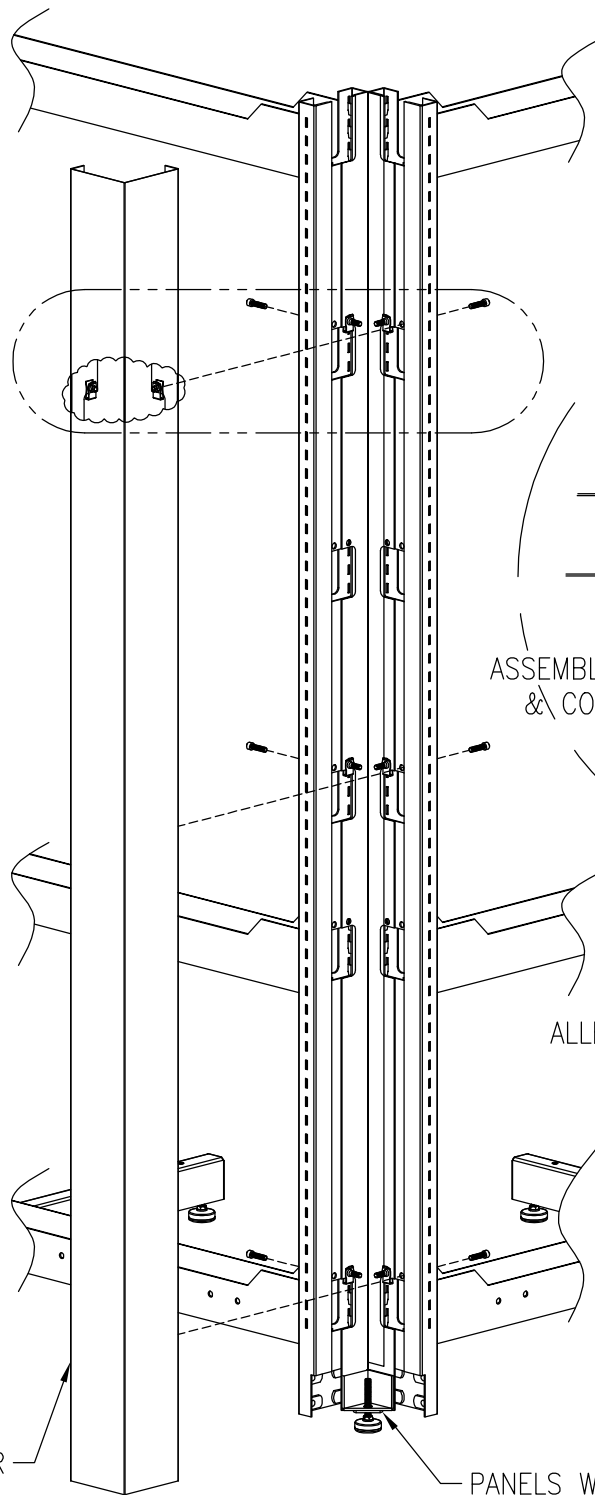
Step 4: Tighten all screws.

Step 5: Slide shelf top into metal slide.

2 WAY CORNER POST INSTALLATION

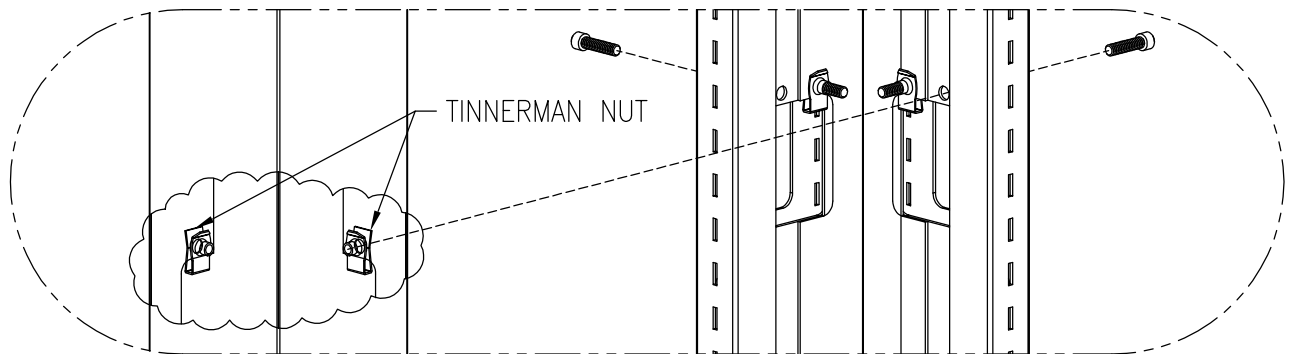


2 WAY CORNER POST INSTALLATION

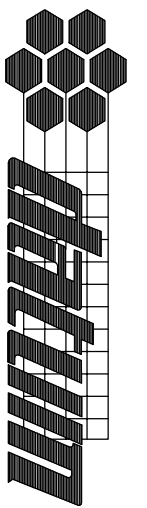


CORNER POST COVER

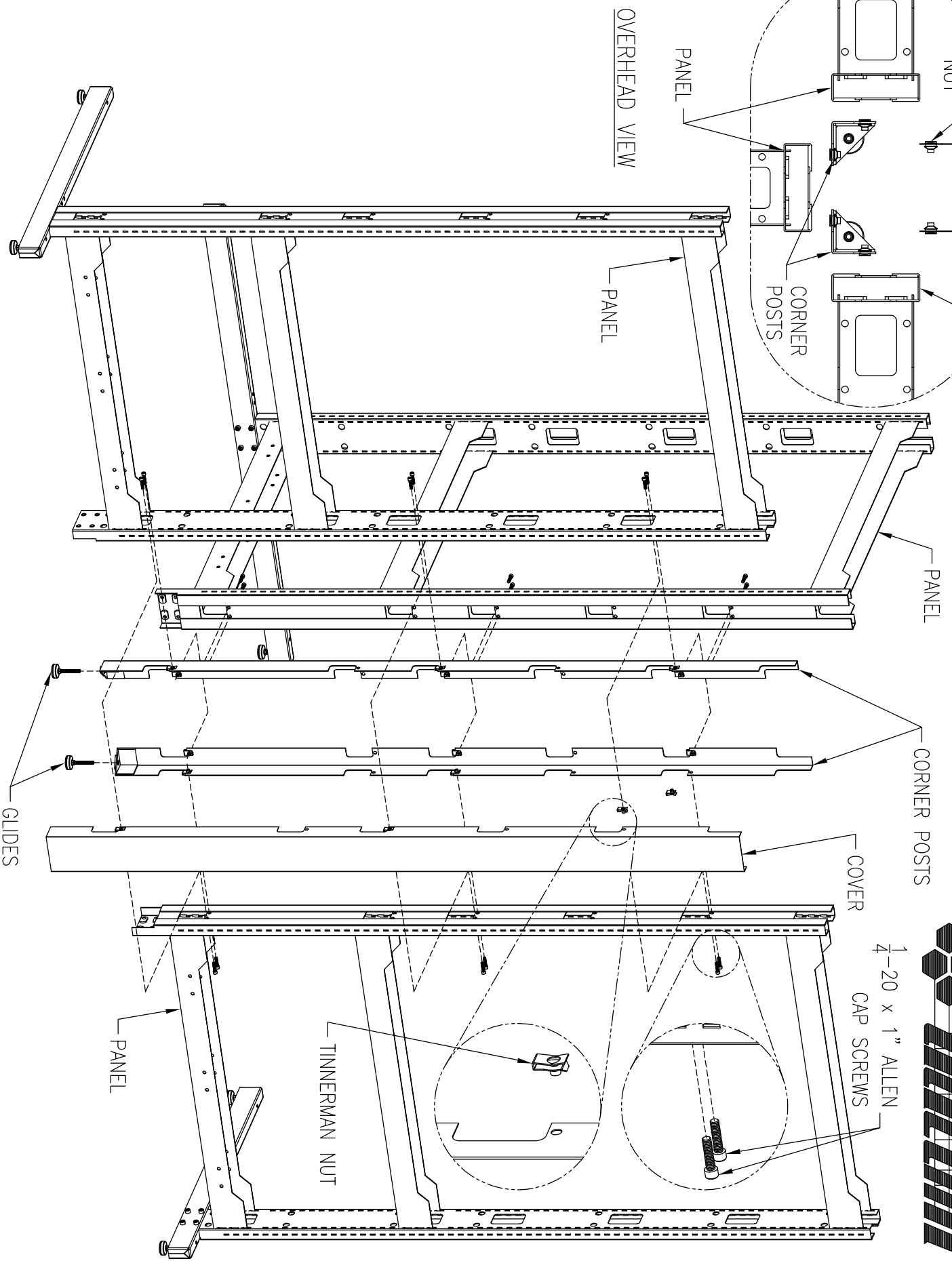
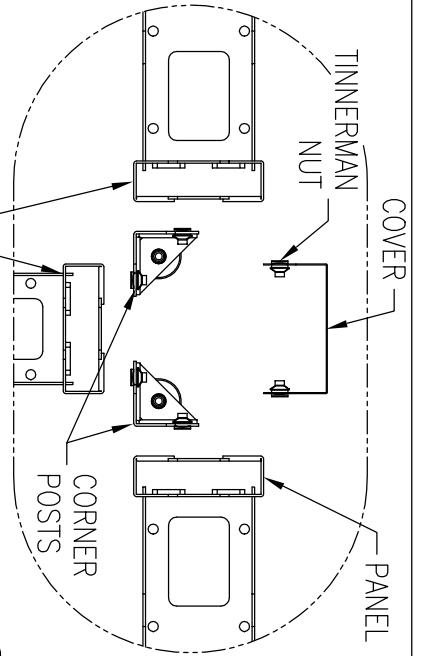
PANELS WITH CORNER POST INSTALLED



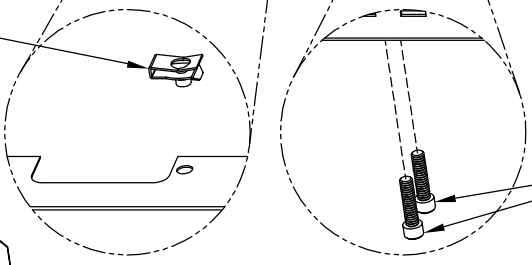
TINNERMAN NUT



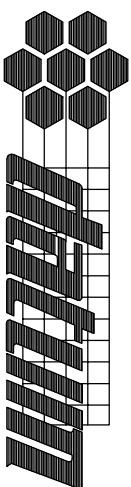
3 WAY "T" POST INSTALLATION



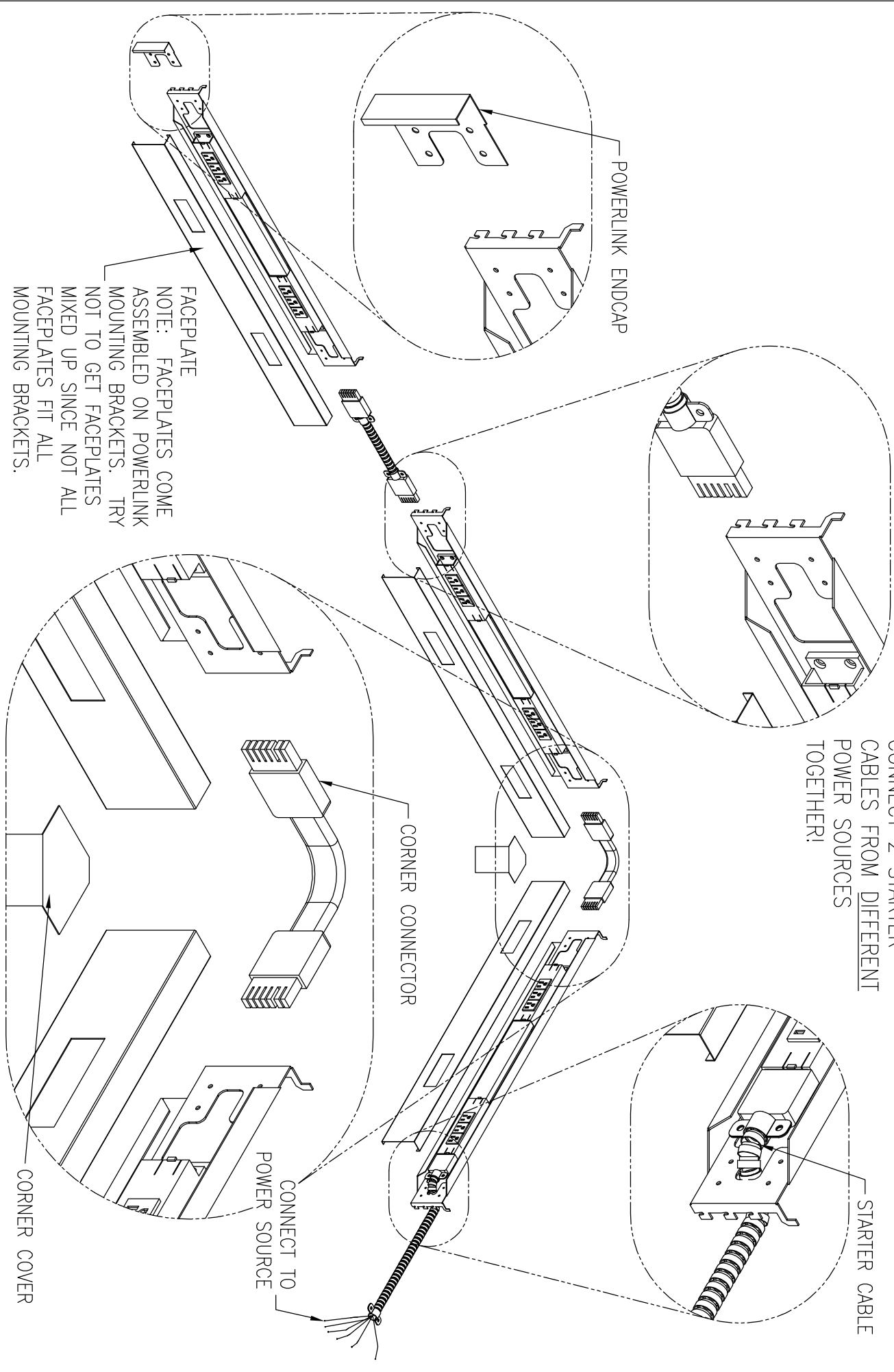
$\frac{1}{4}$ -20 x 1" ALLEN
CAP SCREWS



POWERLINK INSTALLATION



WARNING: DO NOT
CONNECT 2 STARTER
CABLES FROM DIFFERENT
POWER SOURCES
TOGETHER!



POWERLINK ENDCAP

STARTER CABLE

CORNER CONNECTOR

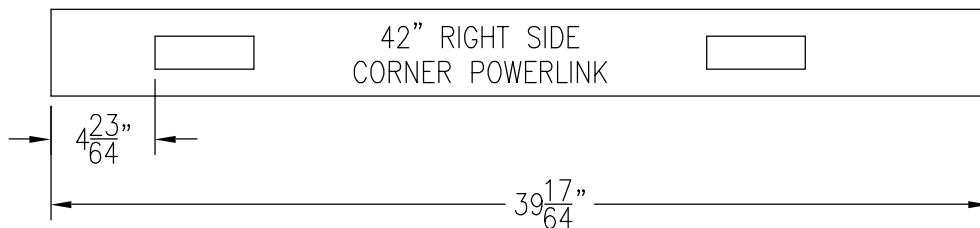
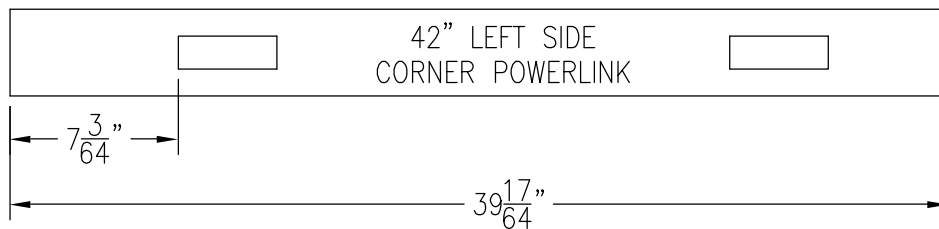
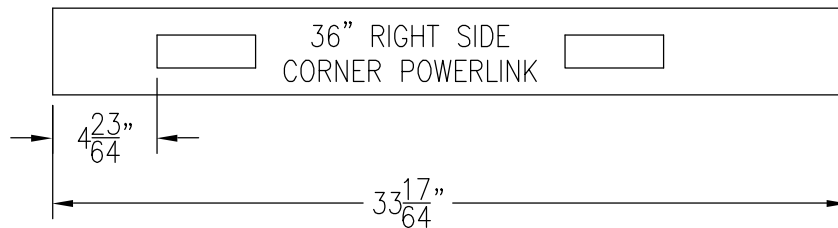
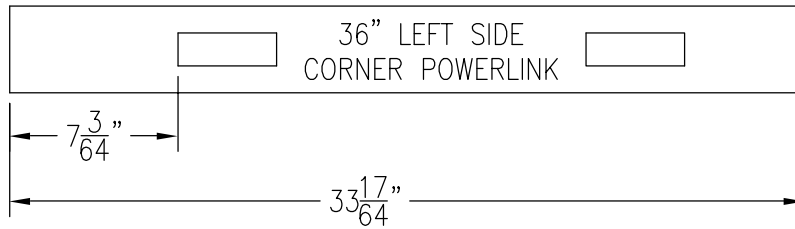
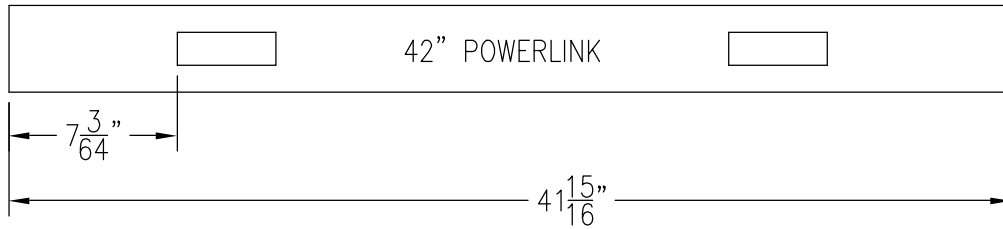
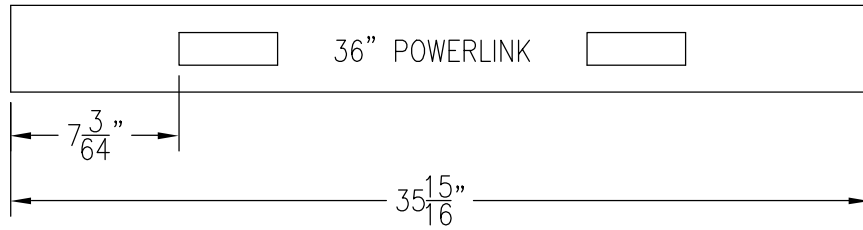
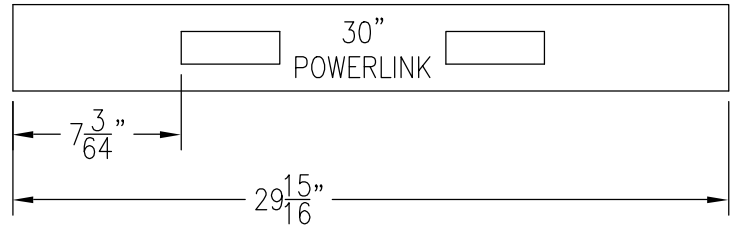
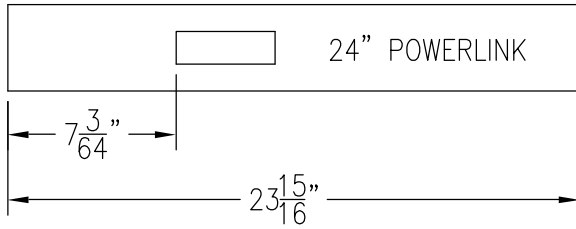
CONNECT TO
POWER SOURCE

FACEPLATE

NOTE: FACEPLATES COME
ASSEMBLED ON POWERLINK
MOUNTING BRACKETS. TRY
NOT TO GET FACEPLATES
MIXED UP SINCE NOT ALL
FACEPLATES FIT ALL
MOUNTING BRACKETS.

CORNER COVER

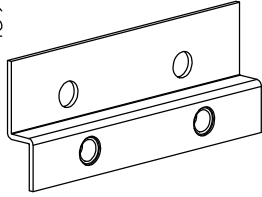
POWERLINK INSTALLATION



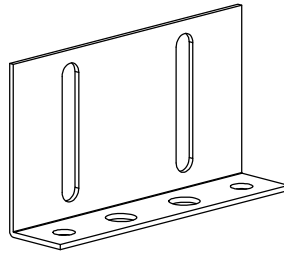
FLOOR MOUNT BRACKET



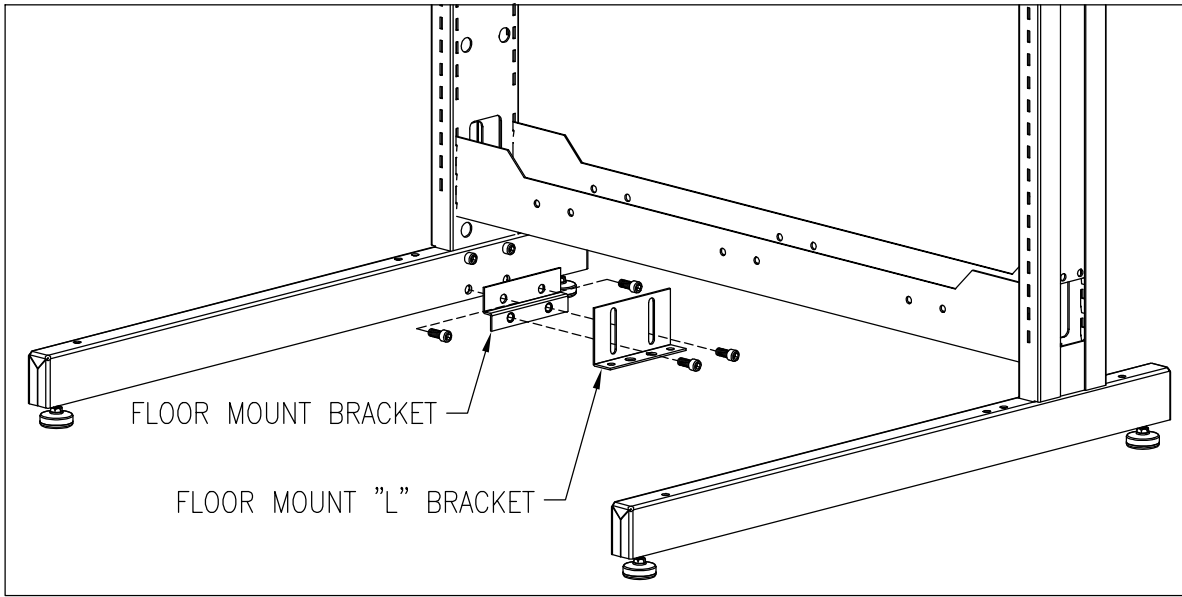
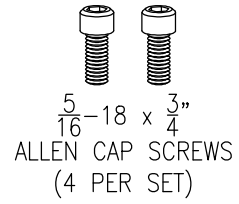
INCLUDED PARTS



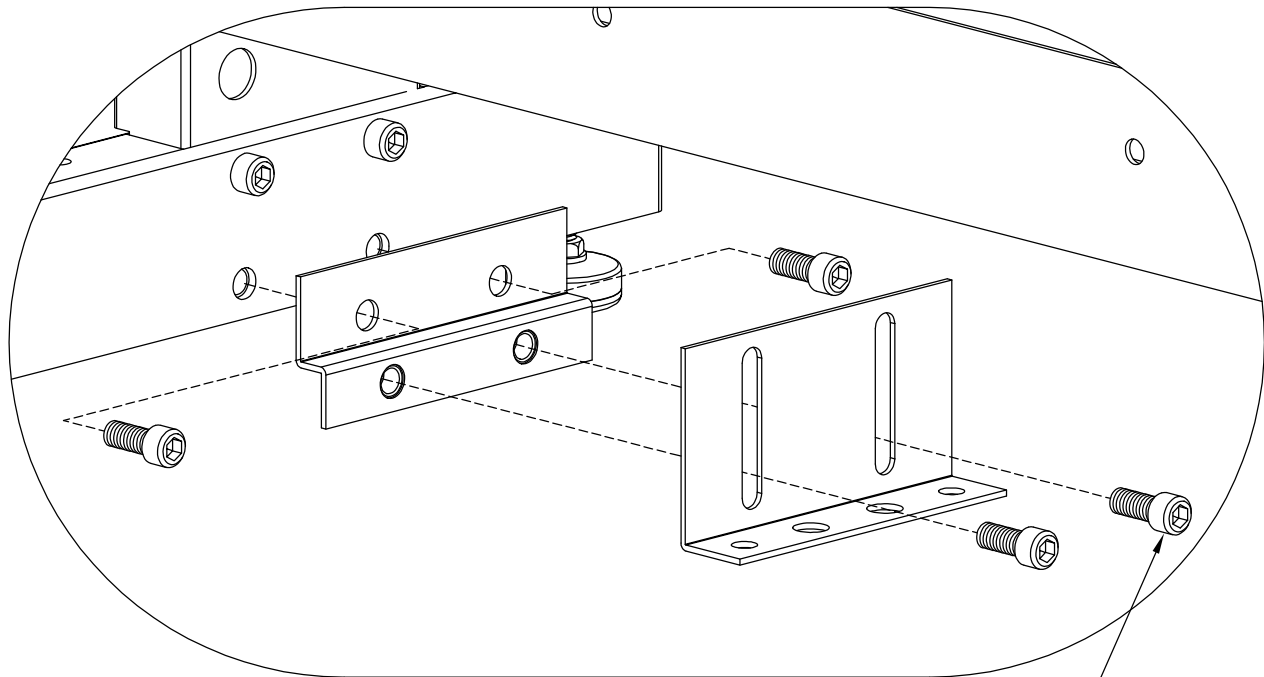
FLOOR MOUNT BRACKET
(2 PER SET)



FLOOR MOUNT "L" BRACKET
(2 PER SET)



NOTE: FLOOR MOUNT BRACKETS SHOULD BE INSTALLED IN PAIRS



NOTE: BECAUSE OF MANY DIFFERENT FLOOR MATERIALS AVAILABLE, HARDWARE FOR MOUNTING THE "L" BRACKET TO THE FLOOR IS NOT SUPPLIED.