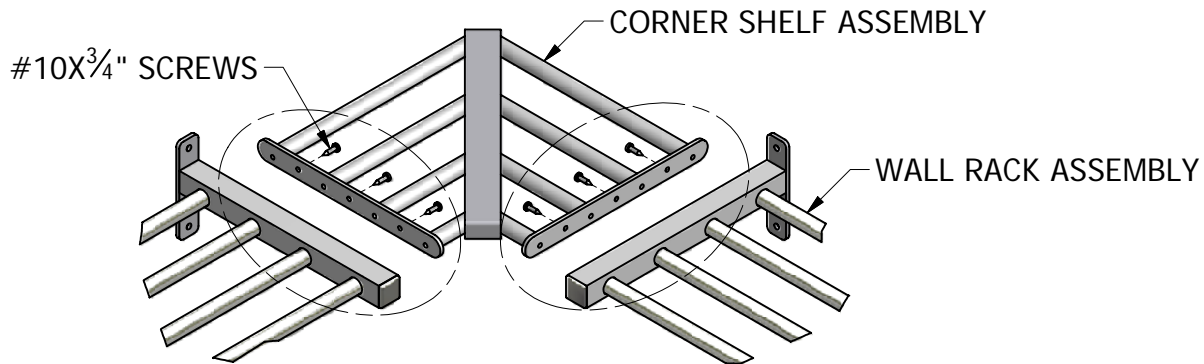


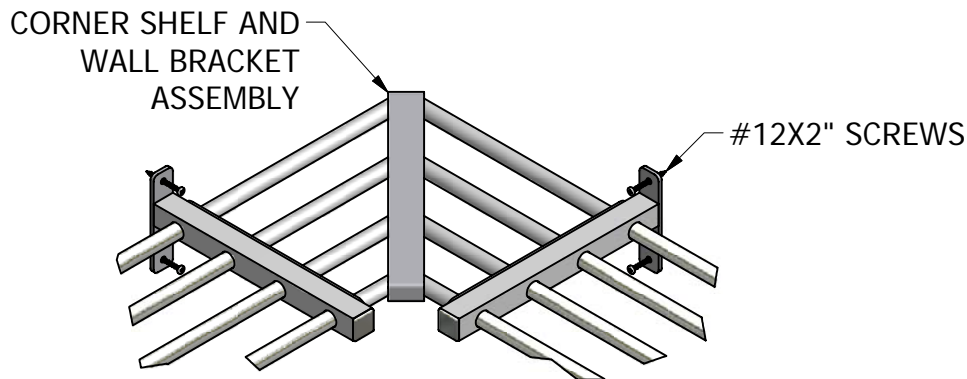
RIGID RACK CORNER SHELF INSTALLATION INSTRUCTIONS

STEP 1: ATTACH ONE SIDE OF CORNER SHELF TO WALL BRACKET ASSEMBLY ALIGNING TUBES, USING (3) #10x $\frac{3}{4}$ " PHILIP PAN HEAD SCREWS. ATTACH OTHER SIDE OF CORNER SHELF TO WALL BRACKET ASSEMBLY ALIGNING TUBES, USING (3) #10x $\frac{3}{4}$ " PHILIP PAN HEAD SCREWS.°



STEP 2: AFTER THE CORNER SHELF IS ATTACHED TO THE WALL BRACKET ASSEMBLY, LOCATE DESIRED POSITION ON WALL STARTING IN THE CORNER WORKING OUT (HANGER POLE SHOULD BE APPROXIMATELY 66" ABOVE FLOOR). MARK HOLES INSURING UNIT IS SQUARE AND LEVEL, DRILL AND SECURE USING #12 SCREWS, WHICH ARE PROVIDED.

CAUTION: ADEQUATE BLOCKING MUST BE PROVIDED TO INSURE RIGID MOUNTING



If you need assembly assistance, please contact Customer Service at 1-866-217-0330 (Monday thru Friday 8:00am - 5:00pm EST)