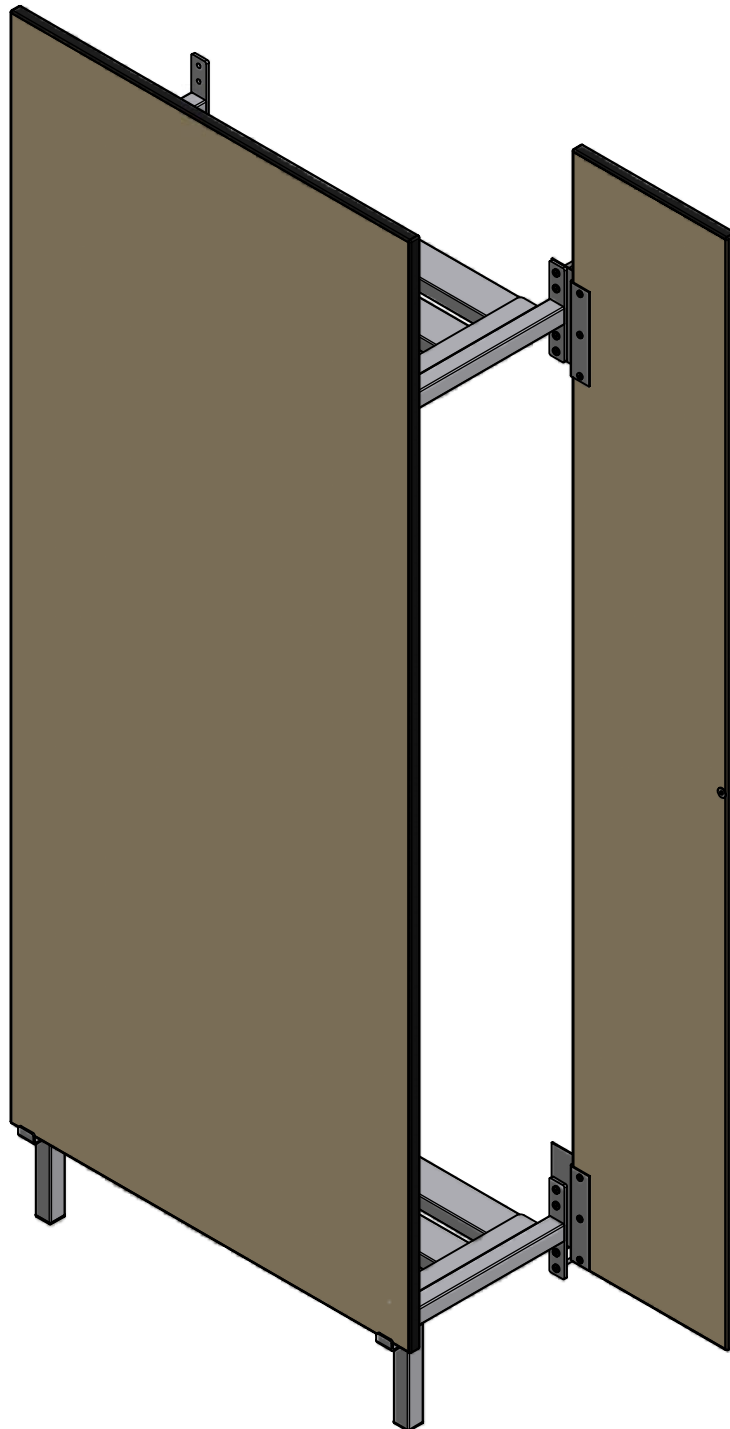


677 SEMI-CONCEALED WARDROBE INSTALLATION INSTRUCTIONS

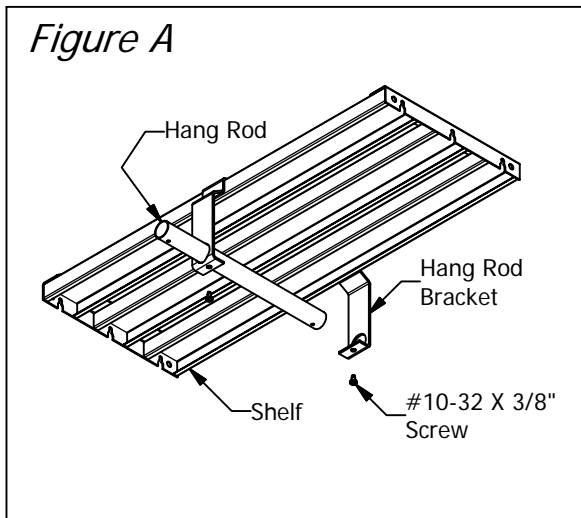
TOOLS REQUIRED FOR INSTALLATION:

#2 Phillips screwdriver, small level, tape measure, cordless drill



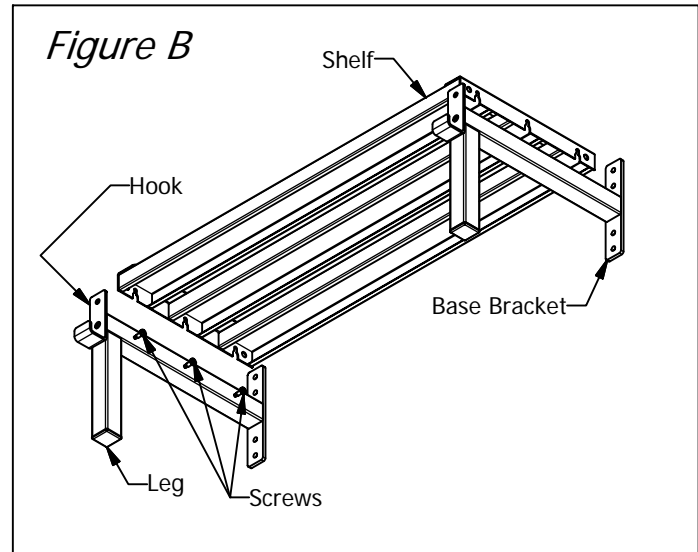
For assembly assistance, please call
1-866-217-0330.

Figure A



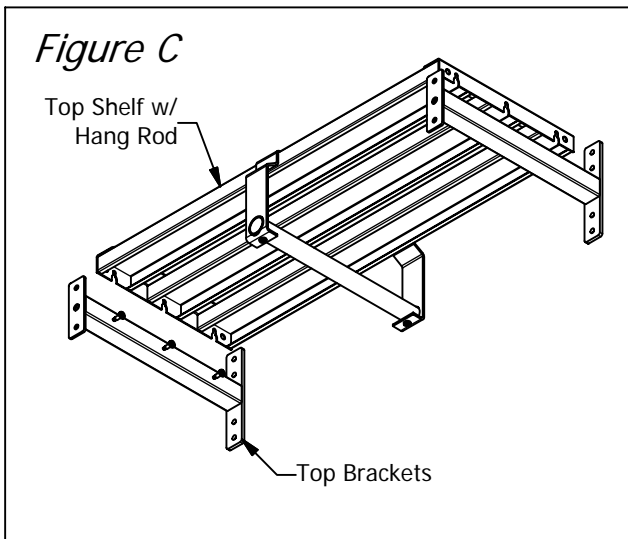
Step 1: Attach the hang rod to the upper shelf (shelf with hang rod brackets) using #10-32 x 3/8" thread cutting screws (included). See Figure A.

Figure B



Step 2: Using the pre-started screws, attach the lower shelf (shelf without hang rod brackets) to the base brackets (brackets with leg and hook). See Figure B.

Figure C



Step 3: Attach the upper shelf to the top brackets in the same way as the lower shelf. See Figure C.

Step 4: With the laminated panel laying on a clean, flat surface, attach the lower shelf assembly to the panel. Locate the bracket on the pre-drilled holes in the panel. The bottom edge of the panel rests in the hooks of the bottom bracket assembly. Use (2) #10 x 3/4" screws. See Figure D.

Figure D

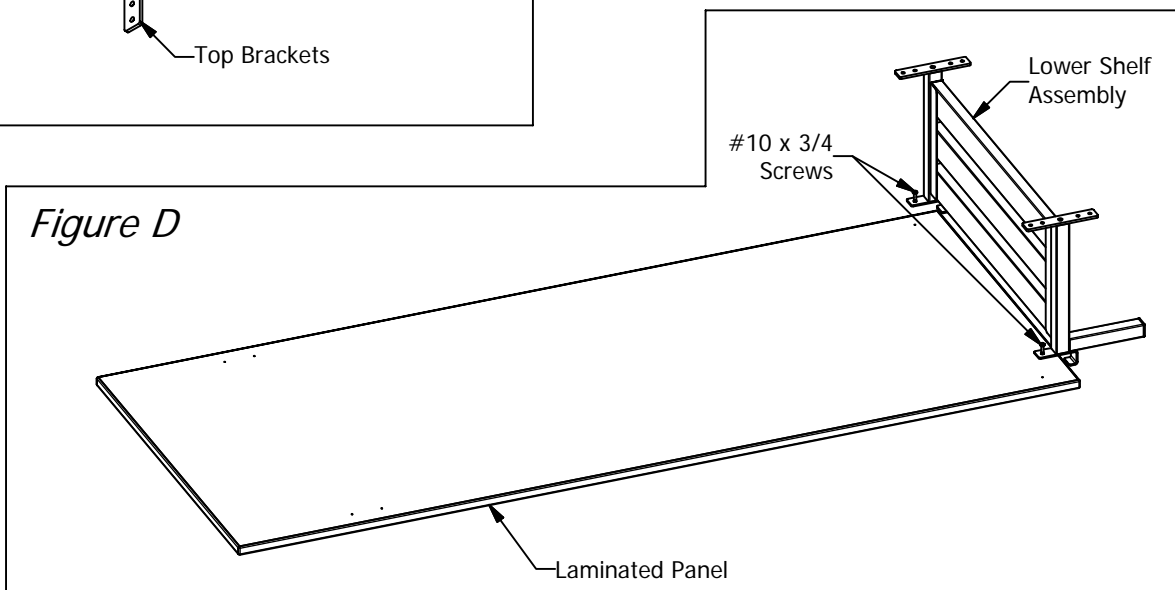
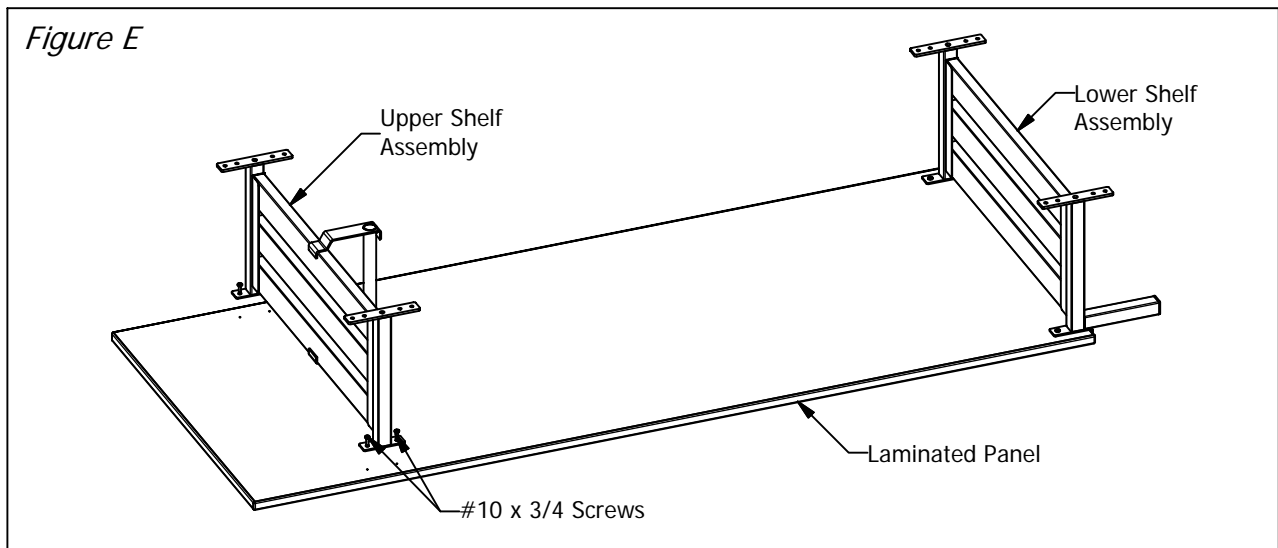


Figure E



Step 5: With the hang rod facing toward the lower shelf assembly, mount the upper shelf assembly in the same way. Use (4) #10 x 3/4 screws. See Figure E.

Step 6: Carefully stand panel, with brackets attached, against the wall. Level as necessary, and attach to the wall with sixteen #12 x 2 1/2" screws (provided). See Figure F.

Figure F

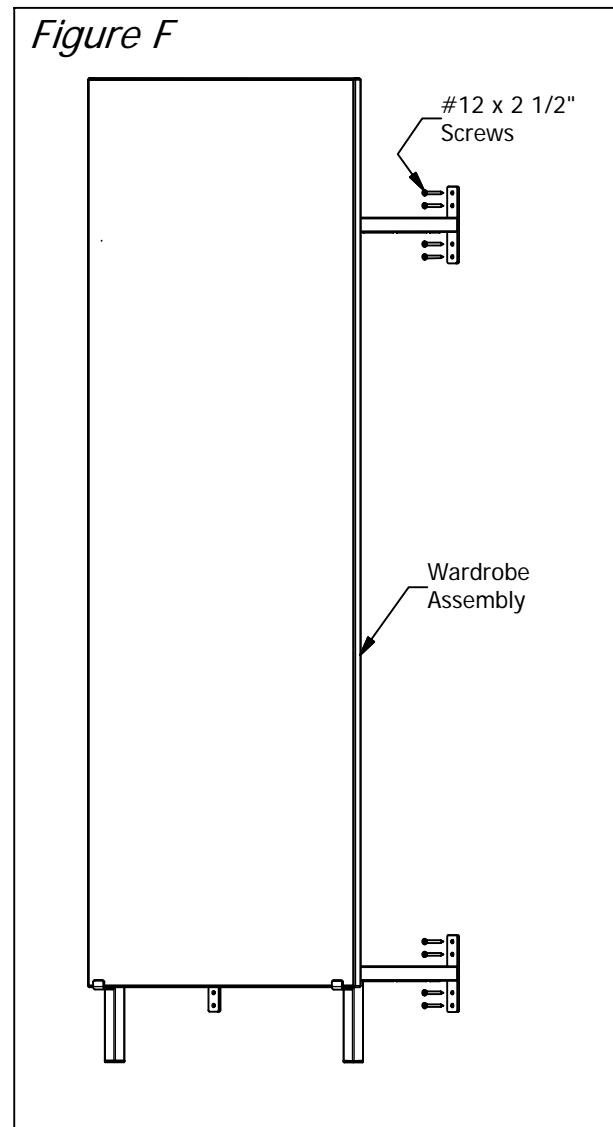
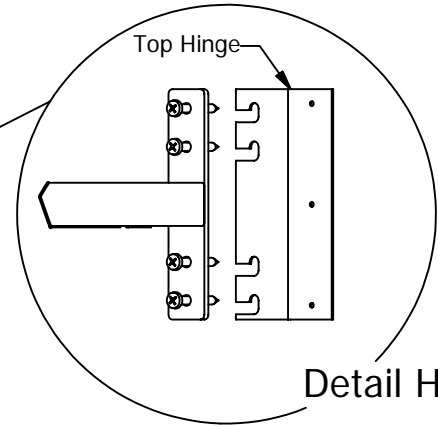
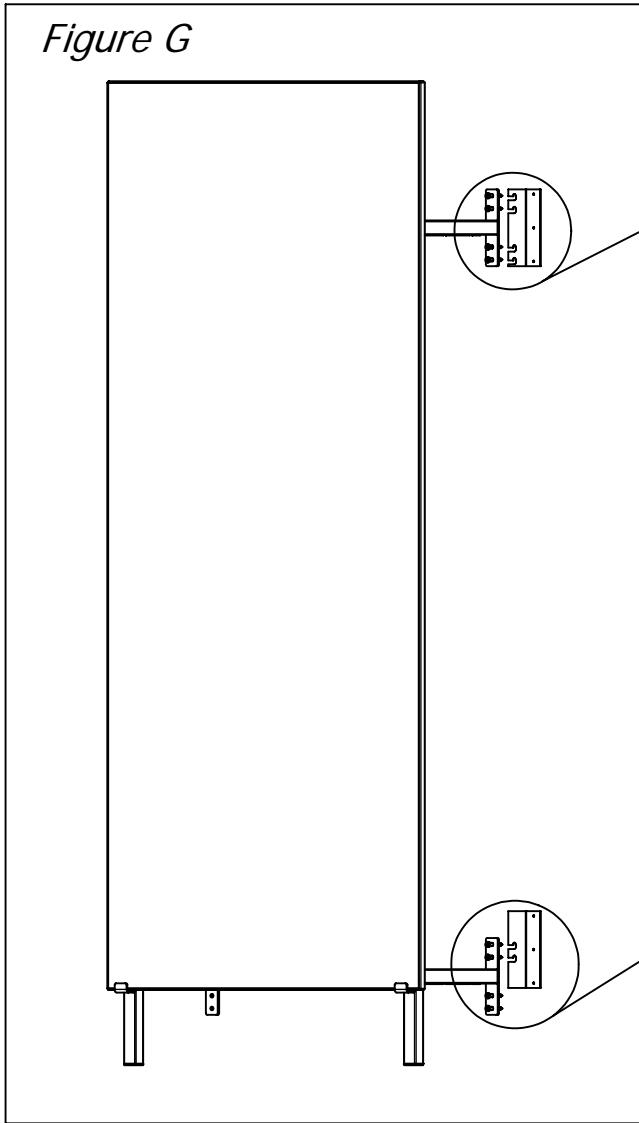
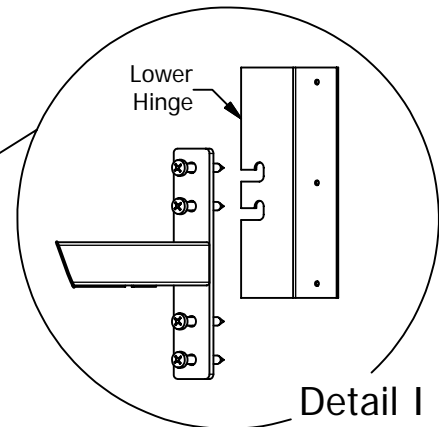


Figure G



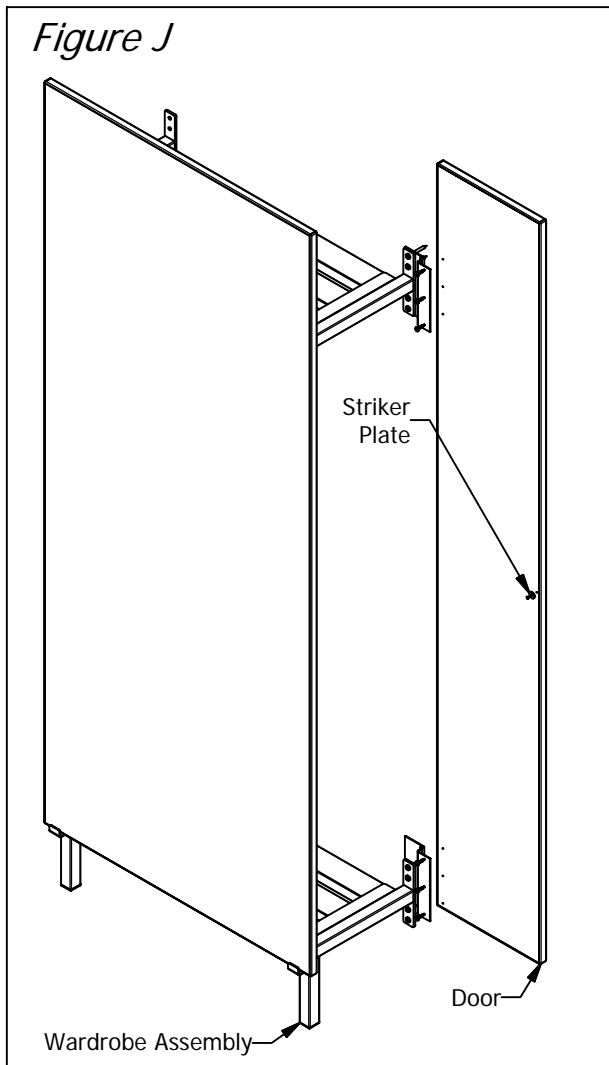
Detail H

Step 7: Back the screws out about 1/2" on the side of the unit the door is to be mounted on. Slide the hinges in behind the shelf brackets. Tighten the screws up again. See figure G & Details H & I.



Detail I

Figure J



Step 8: Align the Holes in the door with the hinges and attach with (6) #10 x 3/4" screws. See Figure J.

Step 9: Attach the striker plate to the door using a #4 x 1/2" screw.

Step 10: Align the magnetic Catch with the striker and secure in place with (4) #4 x 1/2" screws. See Figure K.

Figure K

