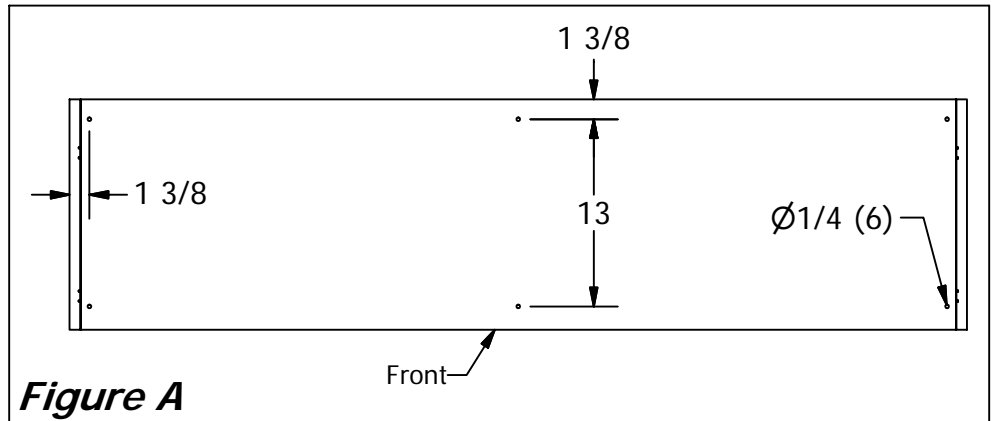
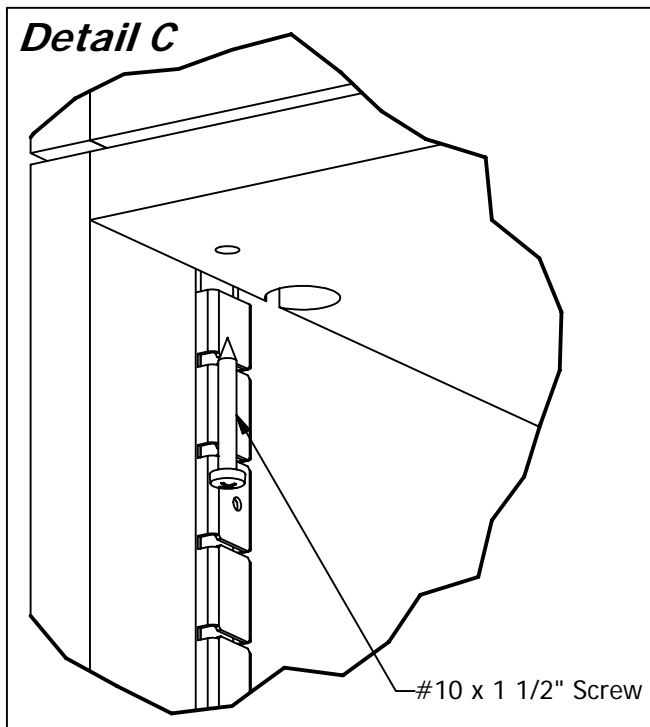
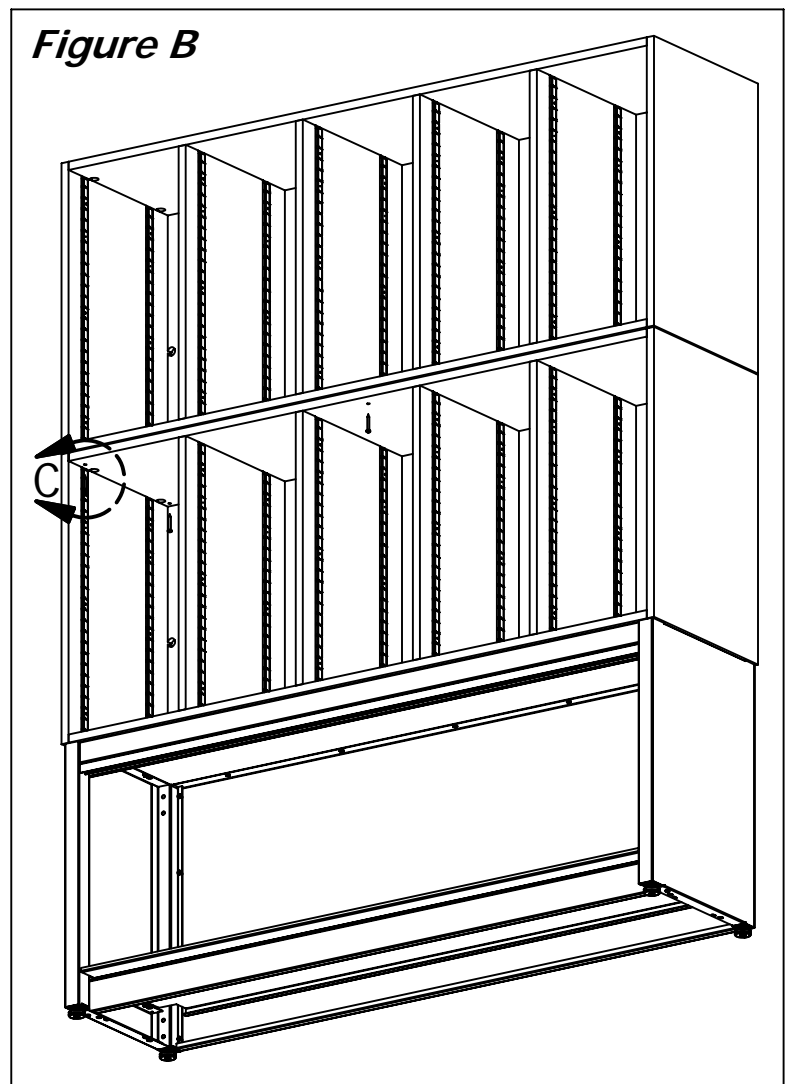


ADDING SECOND SORT MODULE ON TOP OF LITERATURE CABINET BASE

STEP 1: Drill six $\varnothing 1/4$ holes in specified locations on top of the Sort Module that is attached to the Base. See **Figure A**.



STEP 2: Place additional Sort Module on top of existing Sorter and align flush with all sides. Fasten #10 x 1 1/2" Screws through drilled clearance holes and into top Sort Module. Be sure not to overtighten screws. Screws should be tight enough to prevent upper unit from moving. See **Figure B** and **Detail C**.



For assembly assistance, please call
1-866-217-0330.