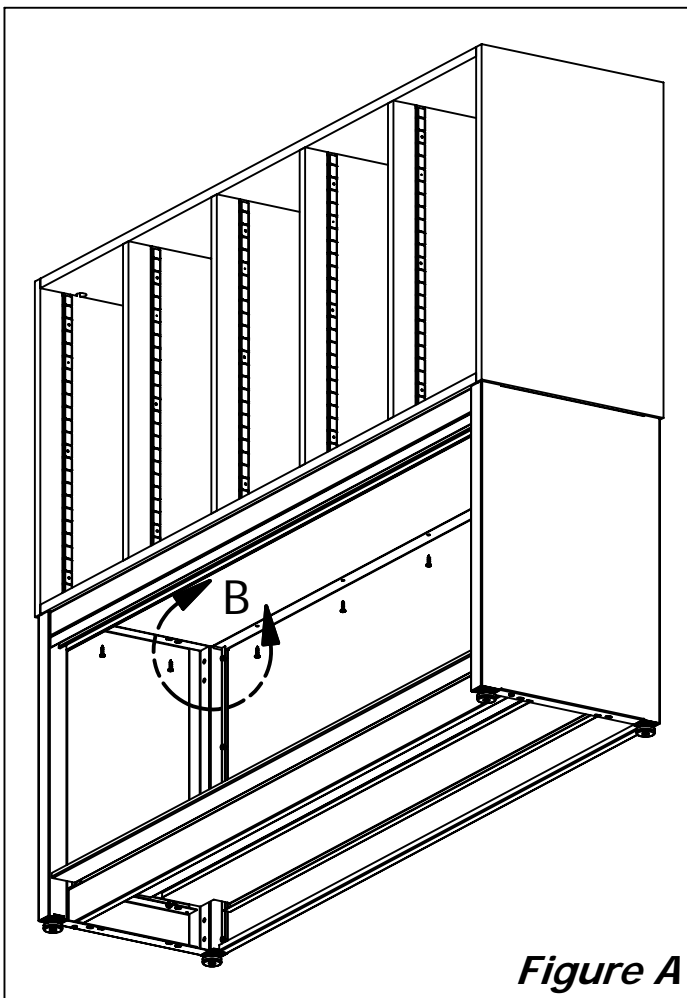
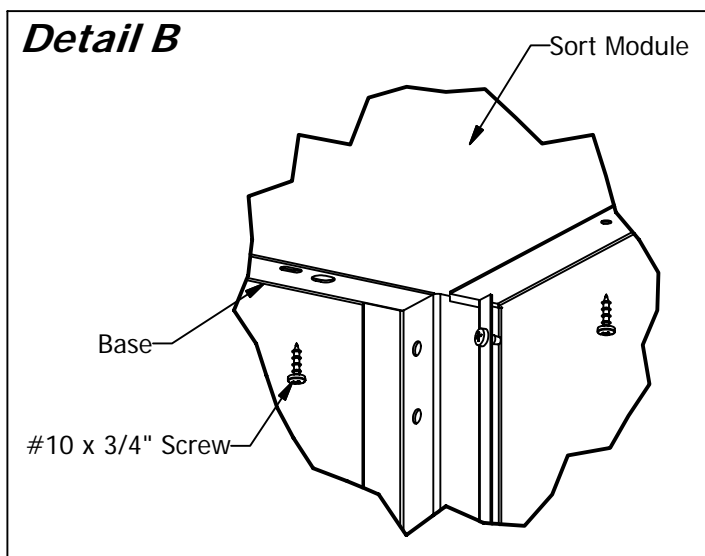


# INSTRUCTIONS FOR SORT MODULE ATTACHMENT TO LITERATURE CABINET BASE

**STEP 1:** Center Sort Module on top of Base. Use #10 x 3/4" Wood Screws to fasten Sorter to Base. Screws will be inserted along the sides and on the rear of the unit via clearance holes in the metal. See *Figure A* and *Detail B*.



*Figure A*



For assembly assistance, please call  
1-866-217-0330.