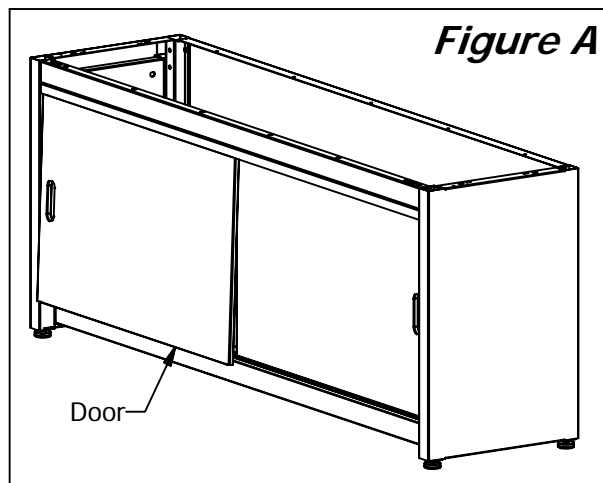
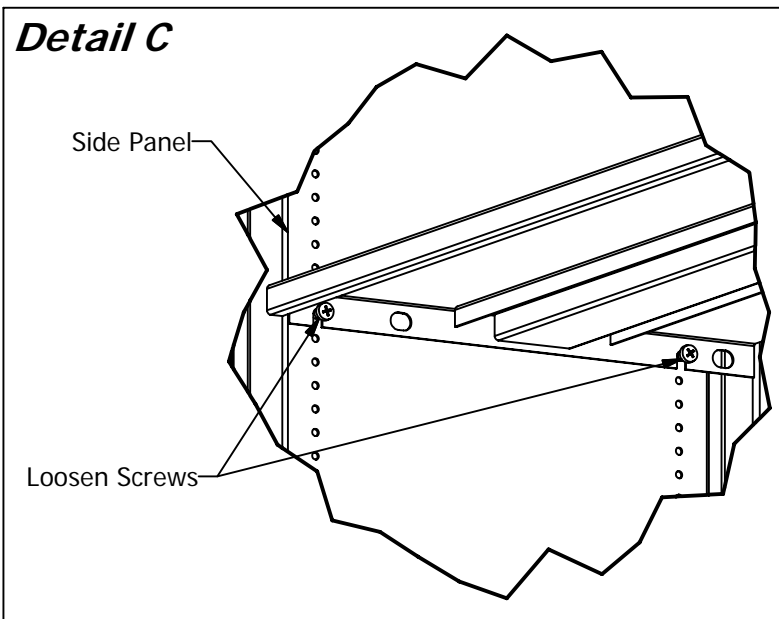
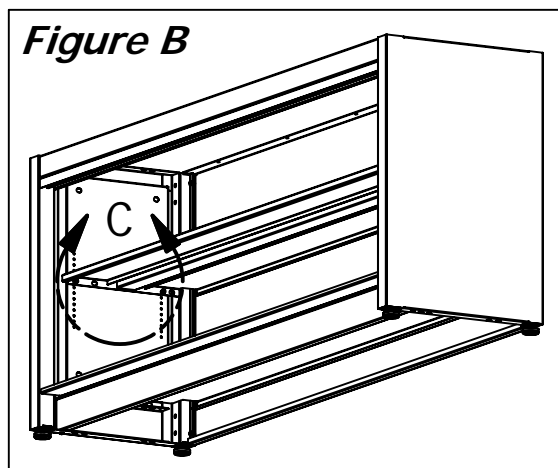


ADJUSTABLE SHELF REMOVAL ON LITERATURE CABINET

STEP 1: The Doors must be removed first. Remove door by lifting up and tilting out bottom. See **Figure A**.



STEP 2: Loosen four screws holding Shelf in place. Lift Shelf and Side Panels out one at a time. Be careful after removing Shelf as the Side Panels are not attached to unit. To install Shelf, reverse these steps. See **Detail C**.



For assembly assistance, please call
1-866-217-0330.