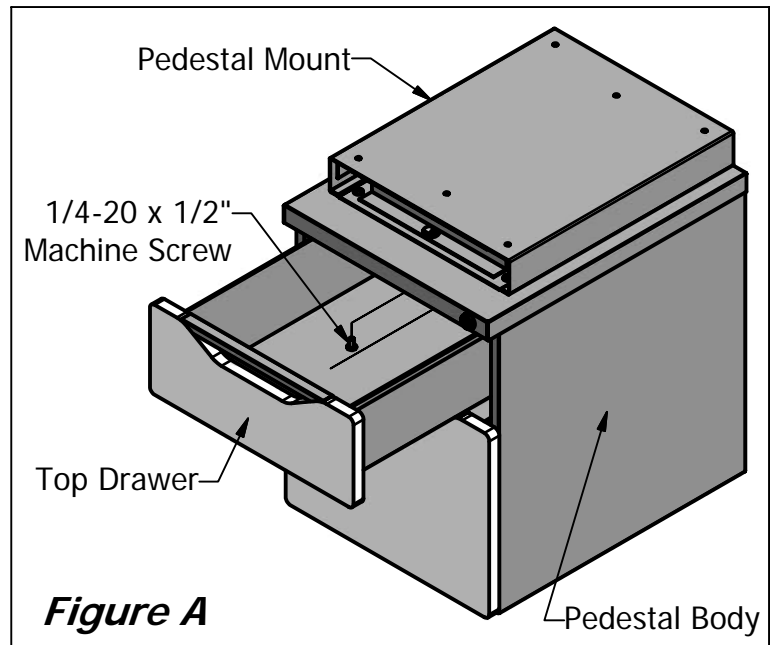


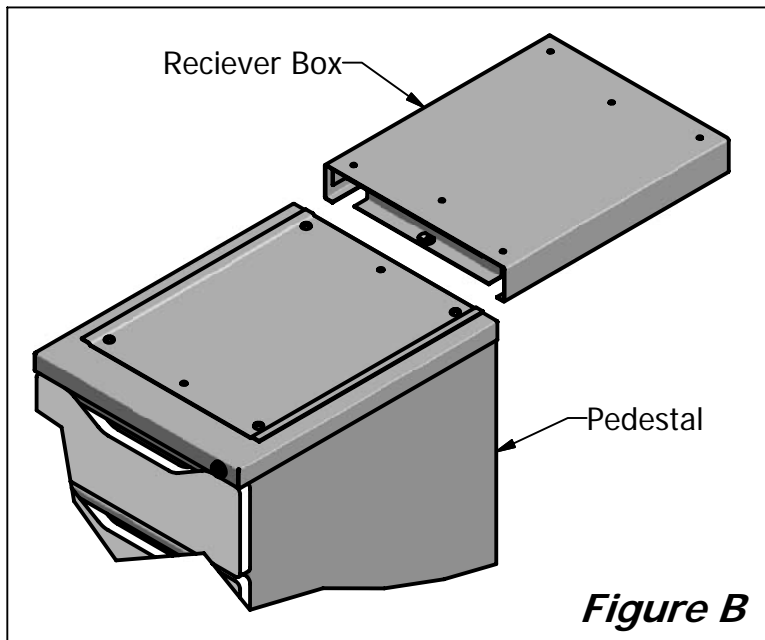
# Pedestal Mount Installation Instructions

TOOLS REQUIRED FOR INSTALLATION: #2 Crosspoint (Phillips) Screw Driver & Tape Measure or Other Suitable Measuring Device.

**Step 1:** Place Pedestal unit on solid surface. Pull out top drawer approximately 10 inches. Remove 1/4-20 x 1/2" long machine screw that secures pedestal body to pedestal mount. See **Figure A**. *Do not discard* this screw, as it will be used again later in these instructions.



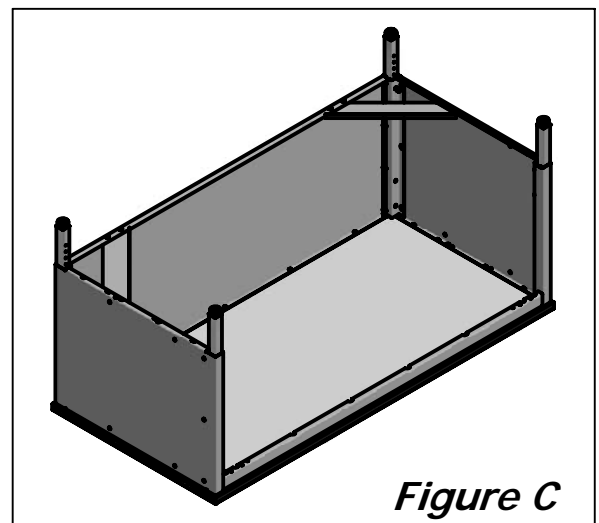
**Figure A**



**Figure B**

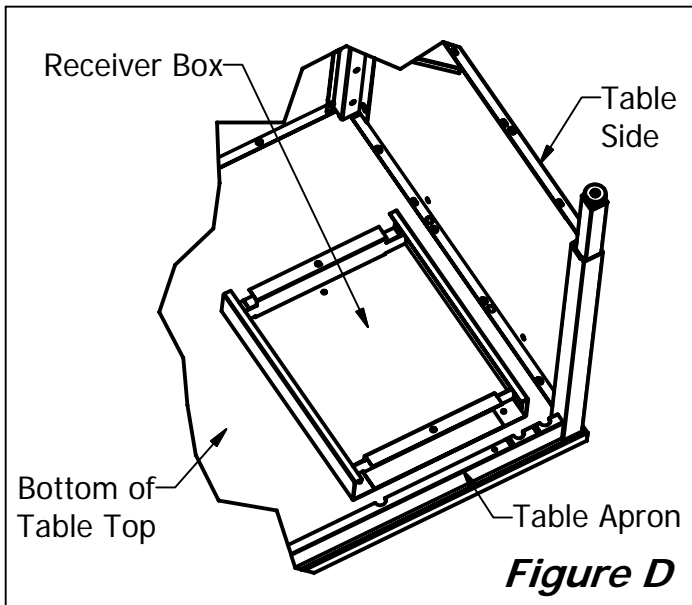
**Step 2:** With the screw removed, slide the Receiver Box part of the Pedestal Mount completely off the top of the pedestal. See **Figure B**.

**Step 3:** Next, place the assembled table, top side down on a clean surface such as carpet, desk mat or cardboard to prevent scratching or damaging the table top. See **Figure C**.

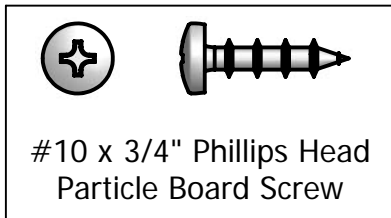
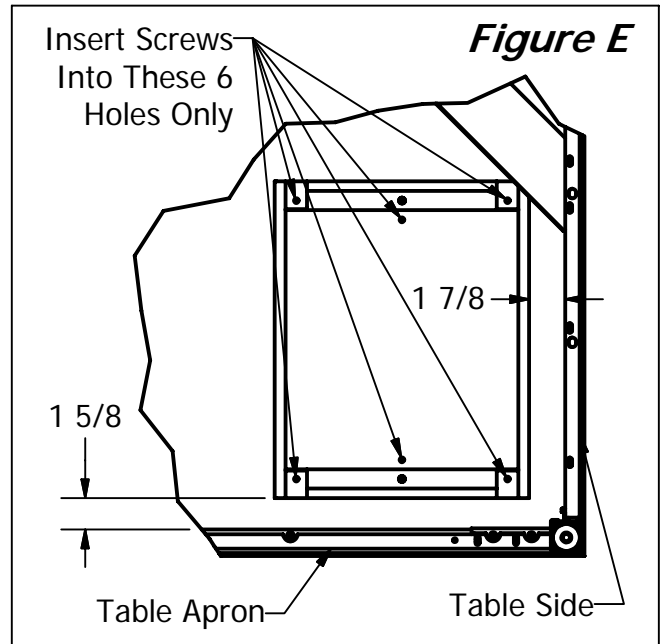


**Figure C**

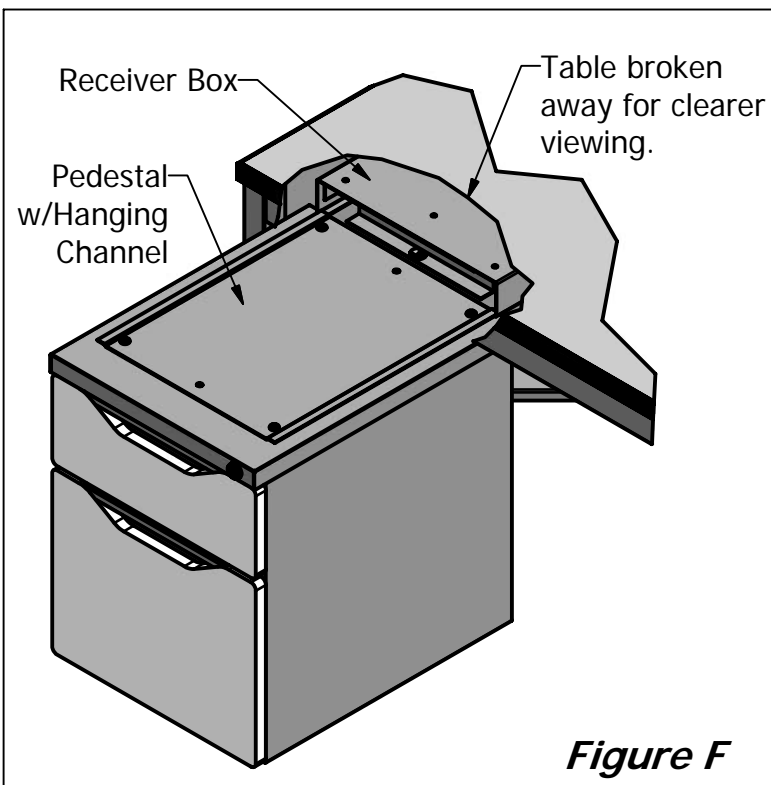
# Pedestal Mount Installation Instructions



**Step 4:** Attach Pedestal Mount Receiver Box to bottom side of table top as shown in **Figure D**. Position using the measurements indicated in **Figure E** and secure with six (6) #10 X 3/4" long Phillips head particle board screws where indicated.



**Step 5:** Install additional Pedestal Mount Receiver Boxes as required, allowing side and front spacing as indicated in **Figure E**. Return table to upright position and place table into final working area.



**Step 6:** Position Pedestal in front of table below Receiver Box. Raise pedestal up and slide the flanges of the Hanging Channel into the Receiver Box. See **Figure F**. Push the Pedestal in till the hole in the front end of the Receiver Box aligns with the front center hole on the Pedestal and insert the 1/4-20 bolt that was removed and saved from Step 1 of these instructions. See **Figure A** for location of bolt.

If you need assembly assistance, please contact Customer Service at 1-866-217-0330 (Monday thru Friday 8:00 AM - 5:00 PM EST).