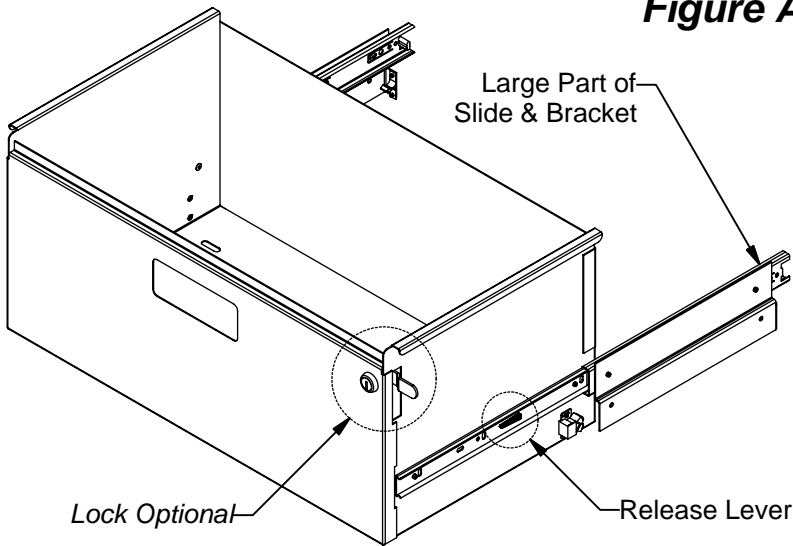


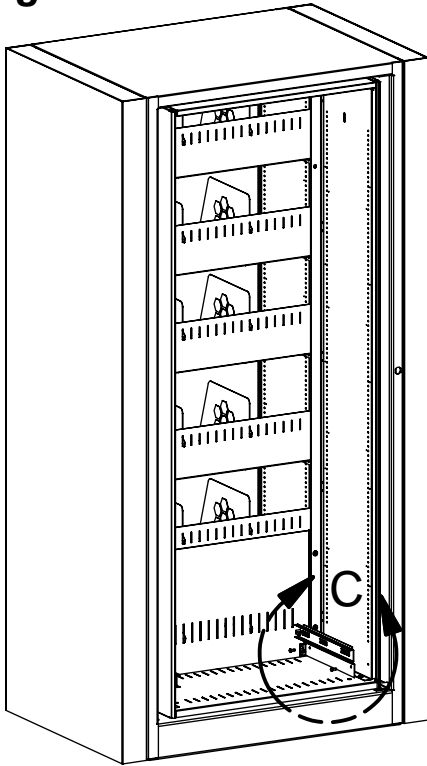
# Ez2 Drawer Installation Instructions

**Figure A**



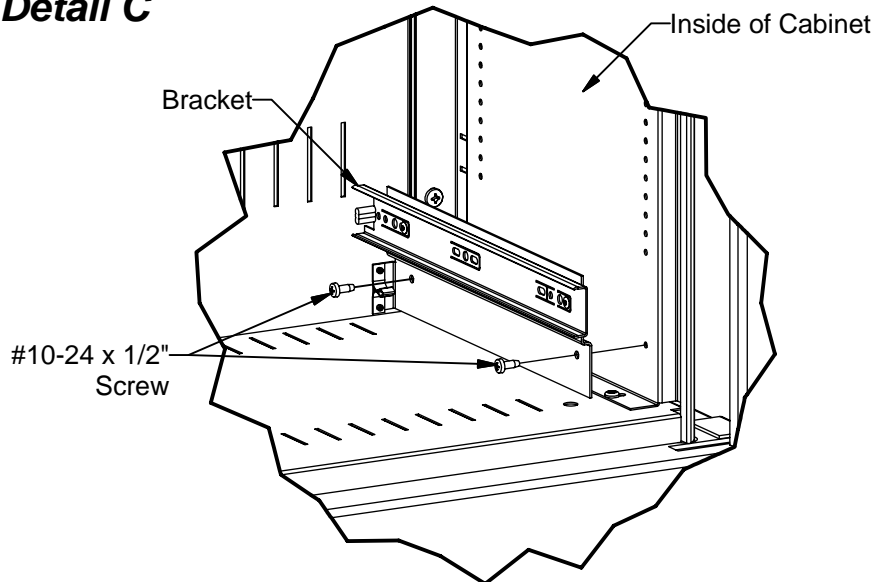
**Step 1:** Pay close attention to how Slide properly functions before disassembling to aid in reassembling later. Remove Large Part of Slide that is riveted to Bracket by engaging Release Lever to allow this part to slide off.

**Figure B**

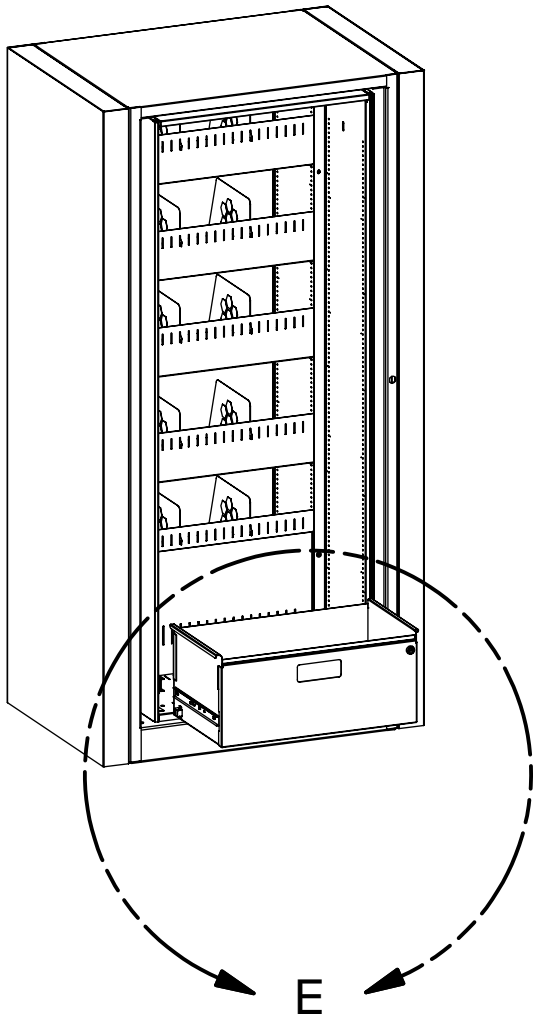


**Step 2:** Attach each Bracket with Large Part of Slide to desired location on cabinet with two #10-24 x 1/2" Type 'F' Phillips Pan Head Screws as shown in **Detail C**.

**Detail C**

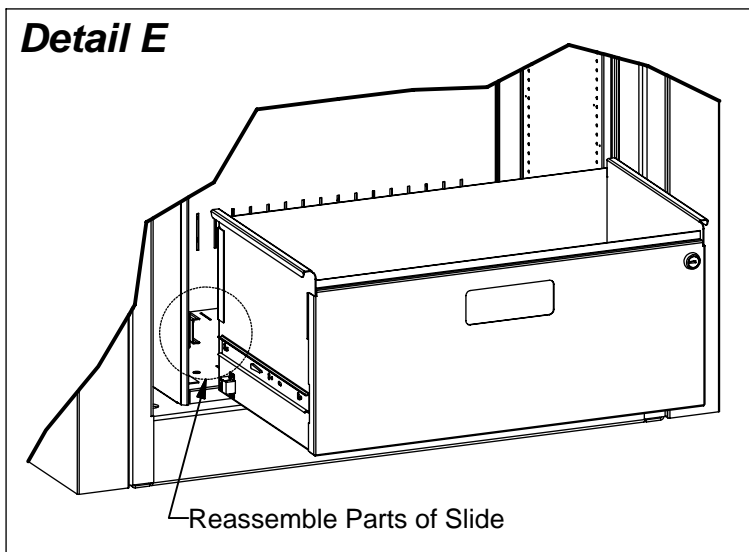


# Ez2 Drawer Installation Instructions



**Step 3:** Install Drawer by reassembling parts of Slide.

**Note:** *Before adding additional drawers or shelves above the drawer just installed, be sure there is clearance for media being stored.*



Reassemble Parts of Slide

If you need assembly assistance, please contact Customer Service at  
1-866-217-0330 (Monday through Friday 8:00 AM - 5:00 PM E.S.T.)