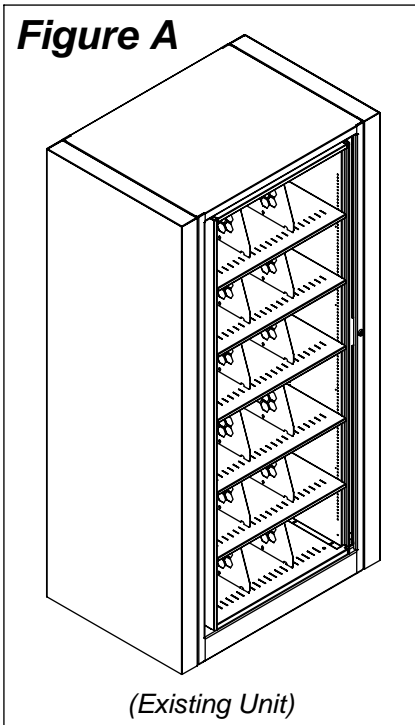


# Ez2 Add-on Installation Instructions

**Figure A**



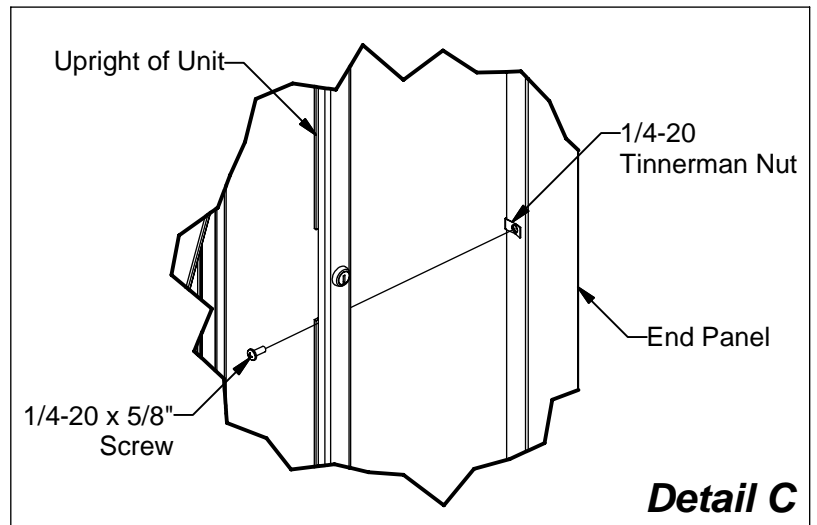
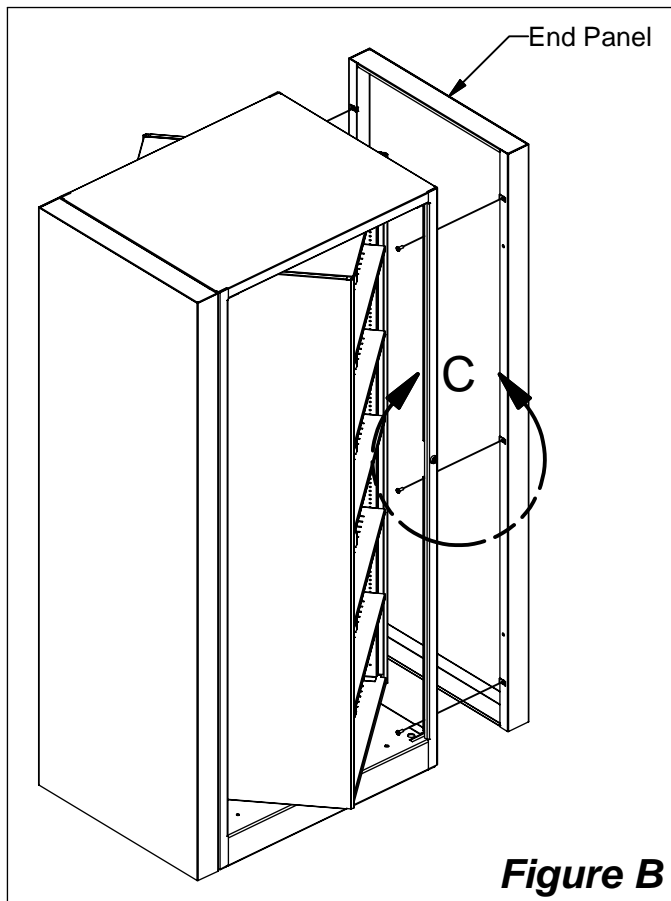
**Note**

When adding an an additional Ez2 unit to an existing one, one End Panel must be removed from the existing unit.

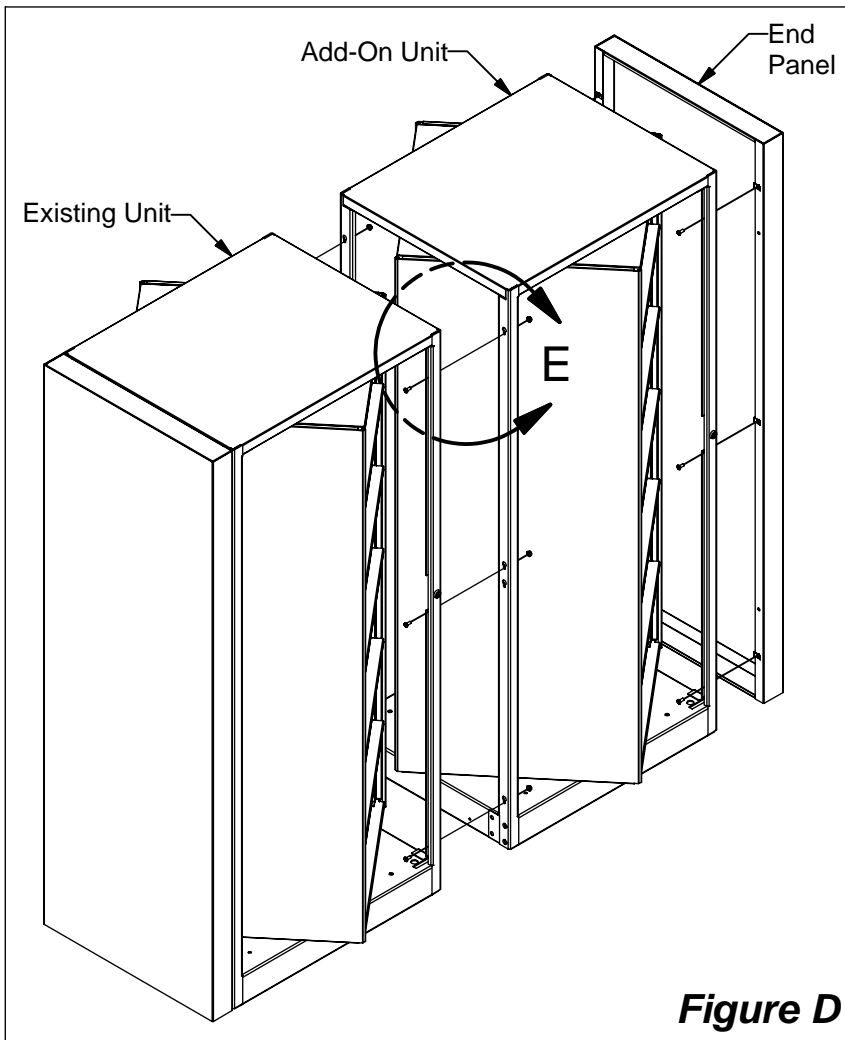
**Step 1:** Six 1/4-20 x 5/8" Phillips Pan Head Machine Screws will be removed so End Panel can be detached. See *Figure B & Detail C*. It will be necessary to rotate unit as shown in *Figure B* to access the six screws.

**Note**

It is not necessary to completely remove screws, just loosen. After screws are loose, lift up the End Panel to remove.

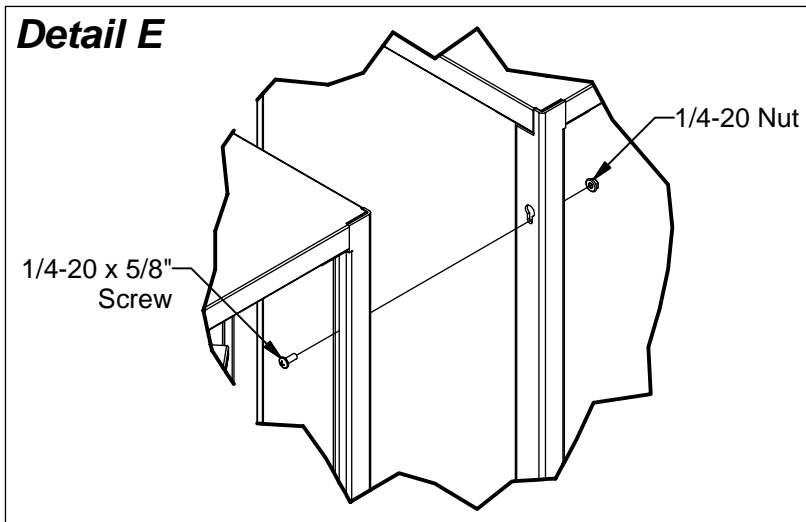


# Ez2 Add-on Installation Instructions

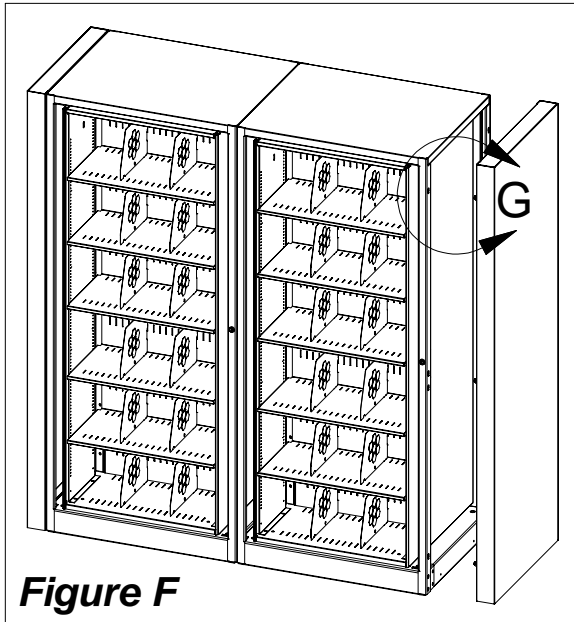


**Figure D**

**Step 2:** Position Add-On Unit beside existing unit. It may be necessary to adjust leveling of Add-On Unit to get keyholes to align. Use six 1/4-20 x 5/8" Phillips Pan Head Machine Screws & Flanged Hex Nuts to secure the two units together as shown in Figure D & Detail E.

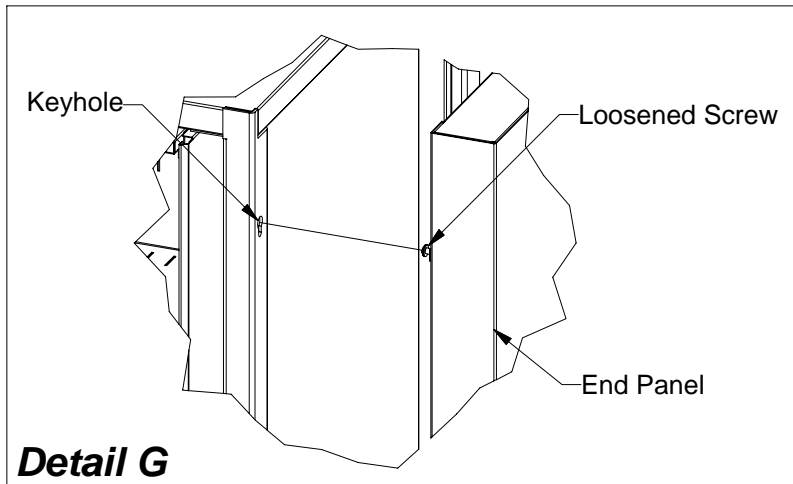


# Ez2 Add-on Installation Instructions

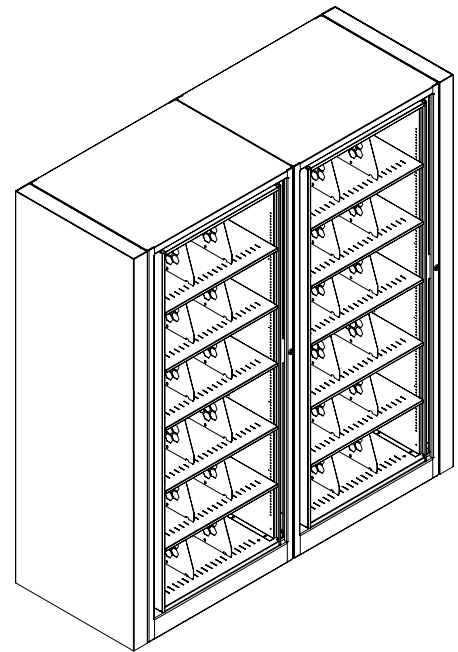


**Figure F**

**Step 3:** Fasten six 1/4-20 x 5/8" Phillips Pan Head Machine Screws into End Panel if they aren't already there. Do not tighten them at this time though, just get them started. Insert screws of End Panel into large part of keyholes on unit & screws on End Panel should now move into lower part of keyholes. Tighten all six screws. See *Figure F & Detail G*.



**Detail G**



If you need assembly assistance, please contact Customer Service at 1-866-217-0330 (Monday through Friday 8:00 AM - 5:00 PM E.S.T.)