

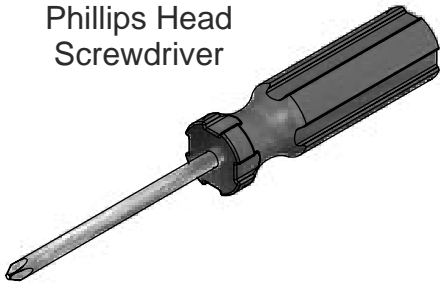
4POST TAMBOUR DOOR INSTRUCTIONS

**PLEASE OPEN ALL BOXES & CHECK TO MAKE SURE
YOU HAVE ALL PIECES REQUIRED
READ ALL INSTRUCTIONS BEFORE STARTING**

Tools required for assembly:

(Drill gun not shown)

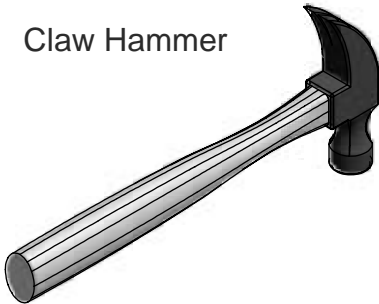
Phillips Head
Screwdriver



7/16" Wrench

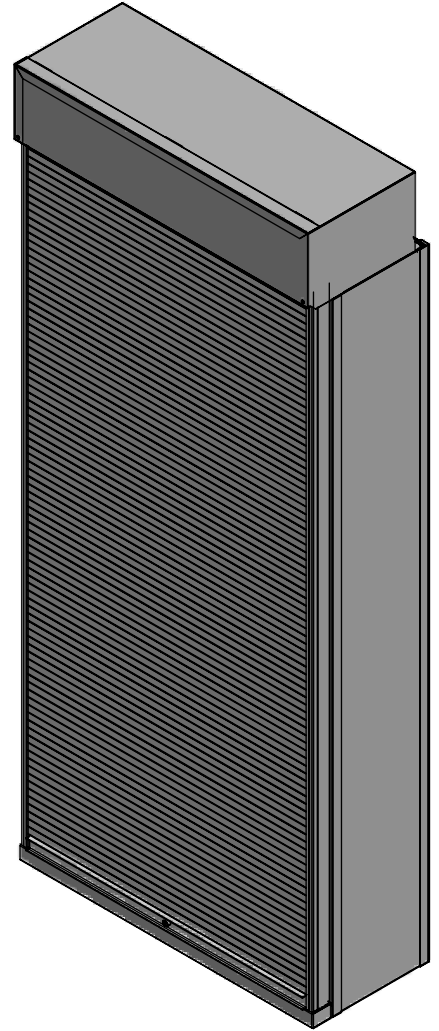
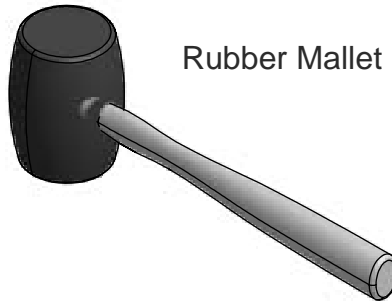


Claw Hammer

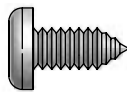


OR

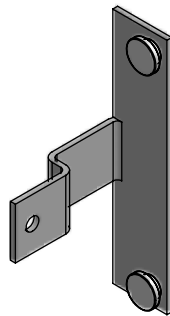
Rubber Mallet



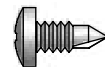
Hardware included:



#12 x 1/2"
Pan Head Phillips
Sheet Metal Screw
(Shown full size)



Upright Bracket



#8 x 3/8"
Pan Head Tek Screw
(Shown full size)
(Drill gun necessary
to fasten tek screws)

4POST TAMBOUR DOOR INSTRUCTIONS

STEP 1: Before you put the tambour box on top of your shelving, you need to knockout 4 knockouts out of the top cover. Regardless of which depth of shelving you have, you will knockout the same pattern of holes according to *Figure A*.

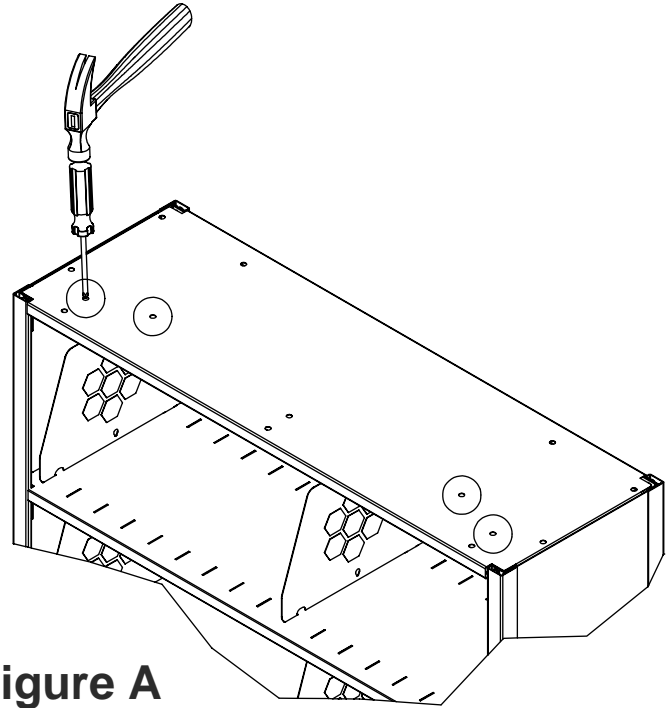
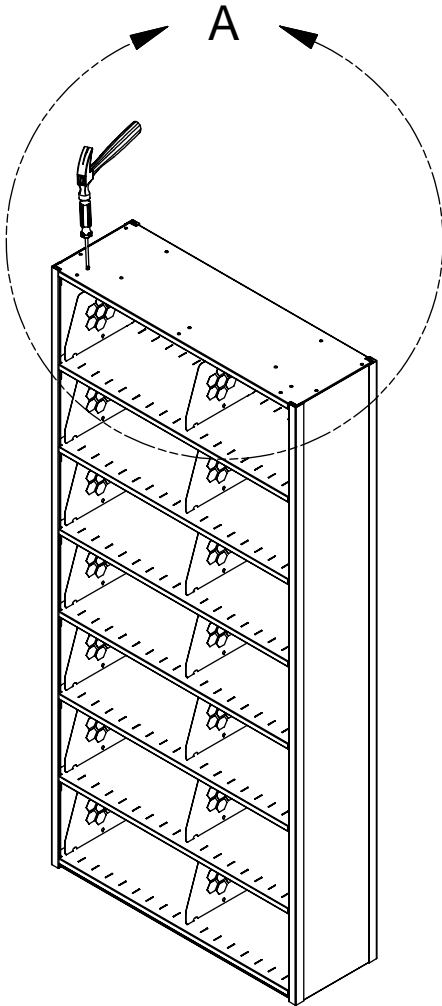
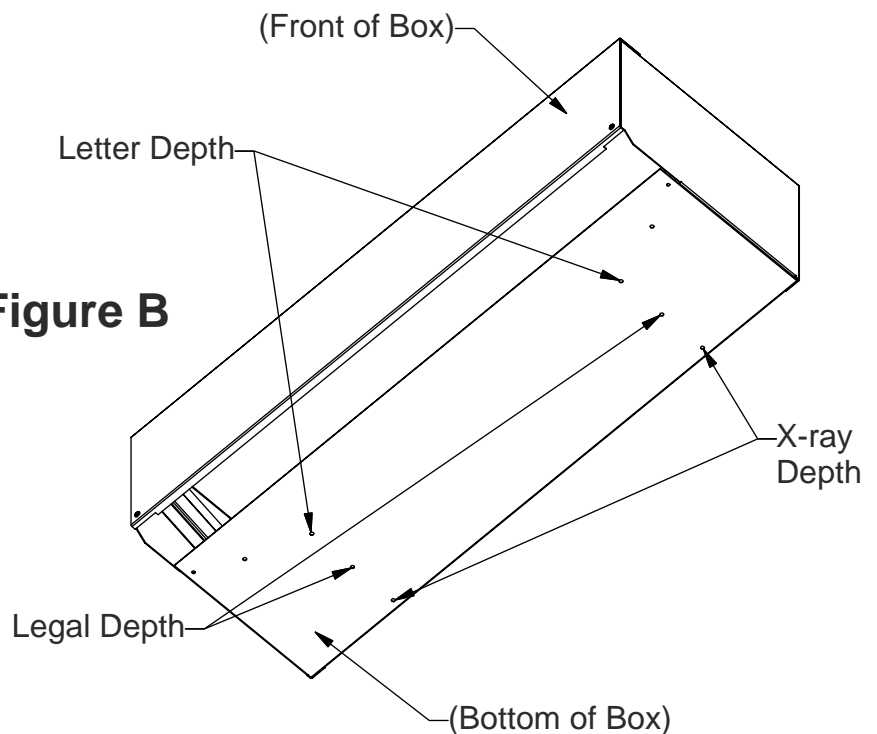


Figure A

STEP 2: Based on the depth of your shelving, whether it be letter, legal, or x-ray, *Figure B* will guide you to which holes on the bottom of the tambour box you should use to line up with on the top cover. Do not place the box on top until **STEP 6**.

Figure B



4POST TAMBOUR DOOR INSTRUCTIONS

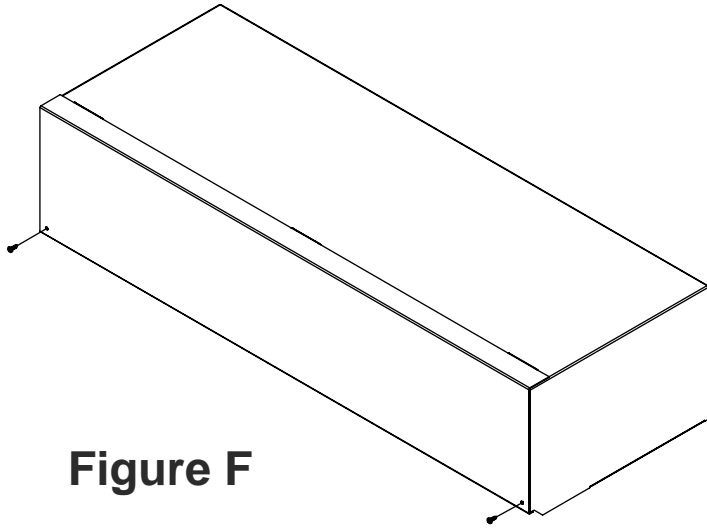
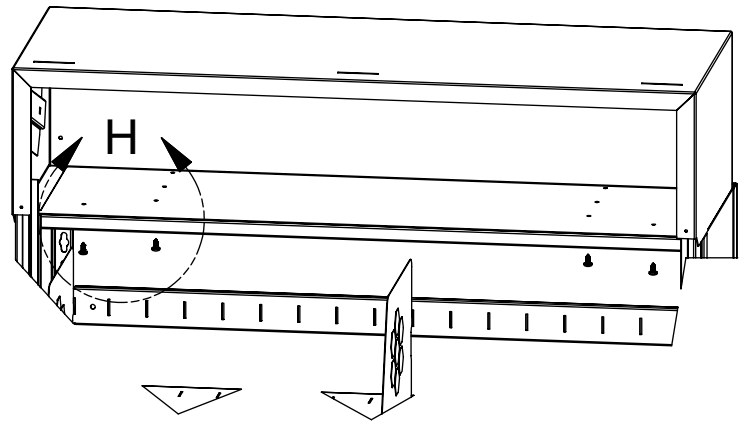


Figure F

STEP 5: IMPORTANT!! PAY CAREFUL ATTENTION NOT TO LET THE TAMBOUR DOOR RETRACT BACK INTO CABINET! When removing front, make sure to take off the packaging materials that are inside the box. Remove front of tambour box by removing 2 screws from front & sliding the front up & so the tabs will slide out of the slots on top (see *Figure F*).



Note: Tambour door removed in this view for clarity.

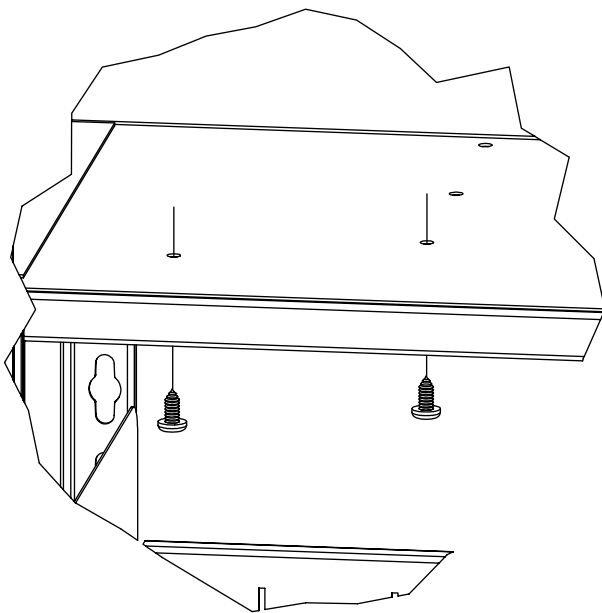


Figure G

STEP 6: Align 4 holes on bottom of tambour box with 4 holes on top cover (refer to *Figures A & B* for assistance on which holes to use). Fasten the box to the top cover using #12 x 1/2" screws (see *Figure G*).

4POST TAMBOUR DOOR INSTRUCTIONS

STEP 7: IMPORTANT!! Pull tambour door at least half way down the unit (see *Figure J*) after aligning inside plastic track(see *Figure H*) to prevent door from retracting back into the cabinet. Replace the front of the tambour box & reinsert the 2 screws that were removed earlier in **STEP 5** (see *Figure K*).

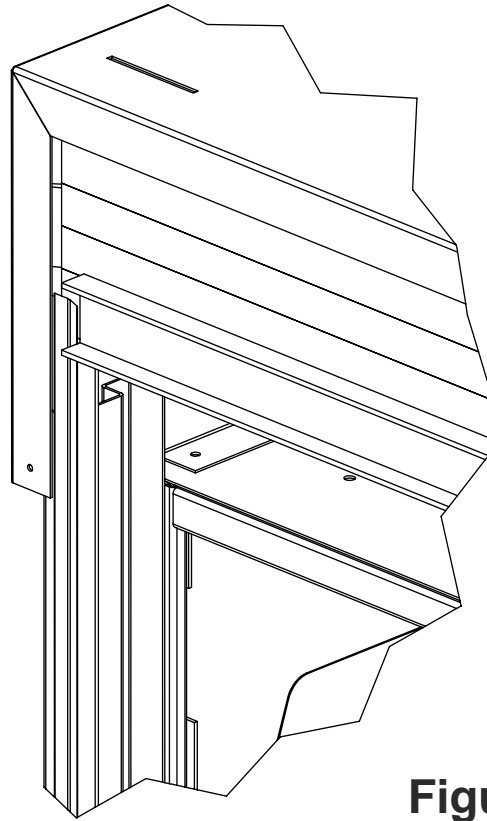


Figure H

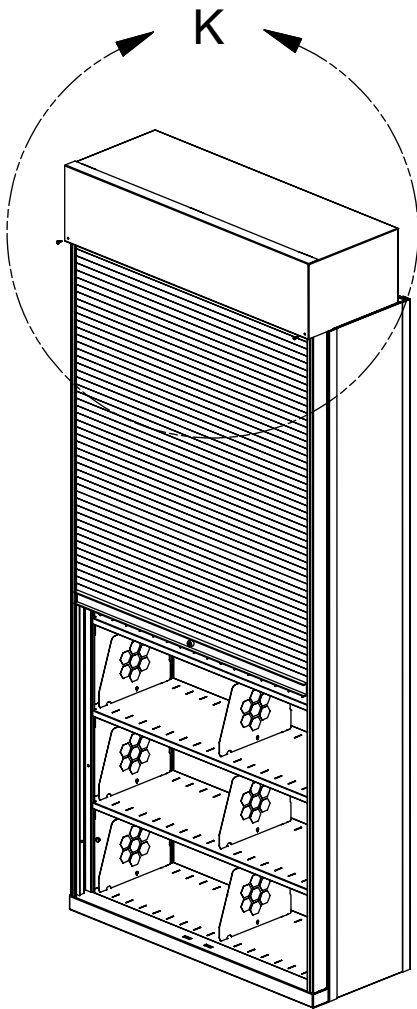


Figure J

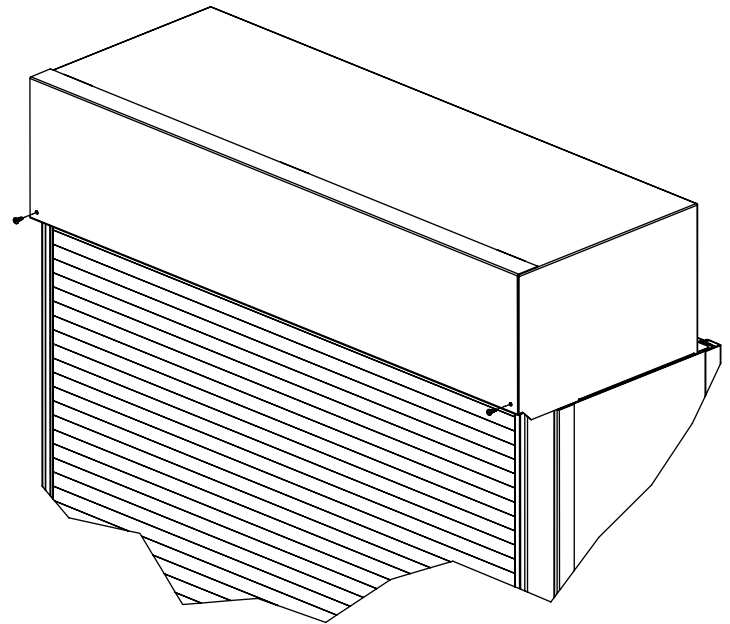


Figure K

4POST TAMBOUR DOOR INSTRUCTIONS

STEP 8: In addition to the 2 upright brackets that were installed on **STEP 4**, install the remaining 4 brackets spaced evenly down the uprights. (Use the 6 brackets that are provided to attach uprights, 3 for each upright.)

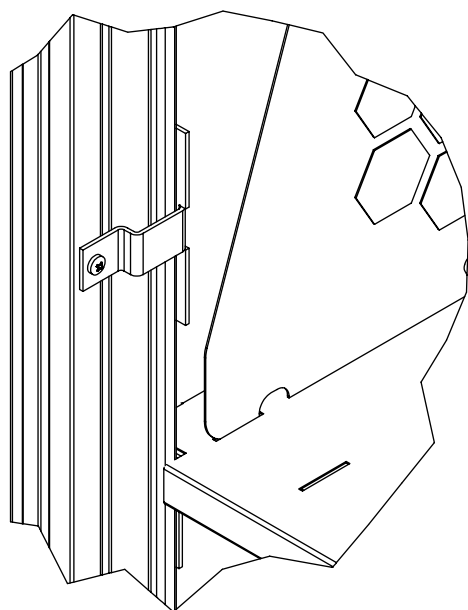
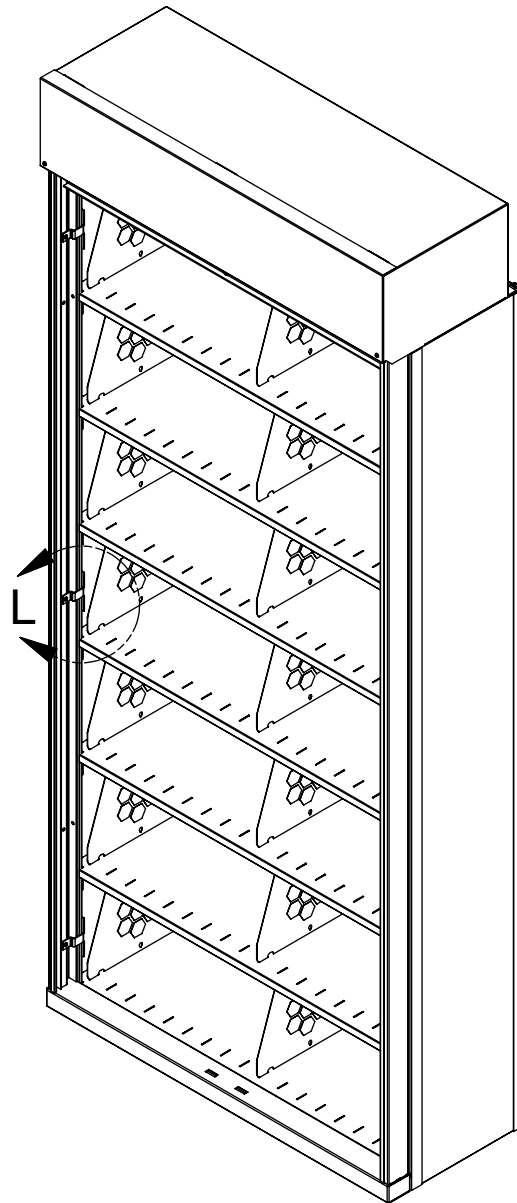


Figure L

Locking the unit

Pull tambour door down until the bottom of the door is against the bottom door frame. Insert key & turn to lock tambour door unit. (Two keys are included with tambour door unit.)