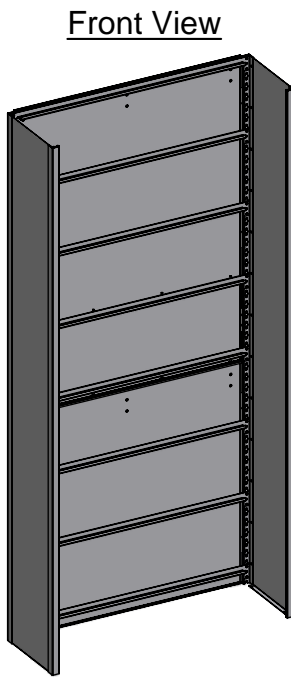
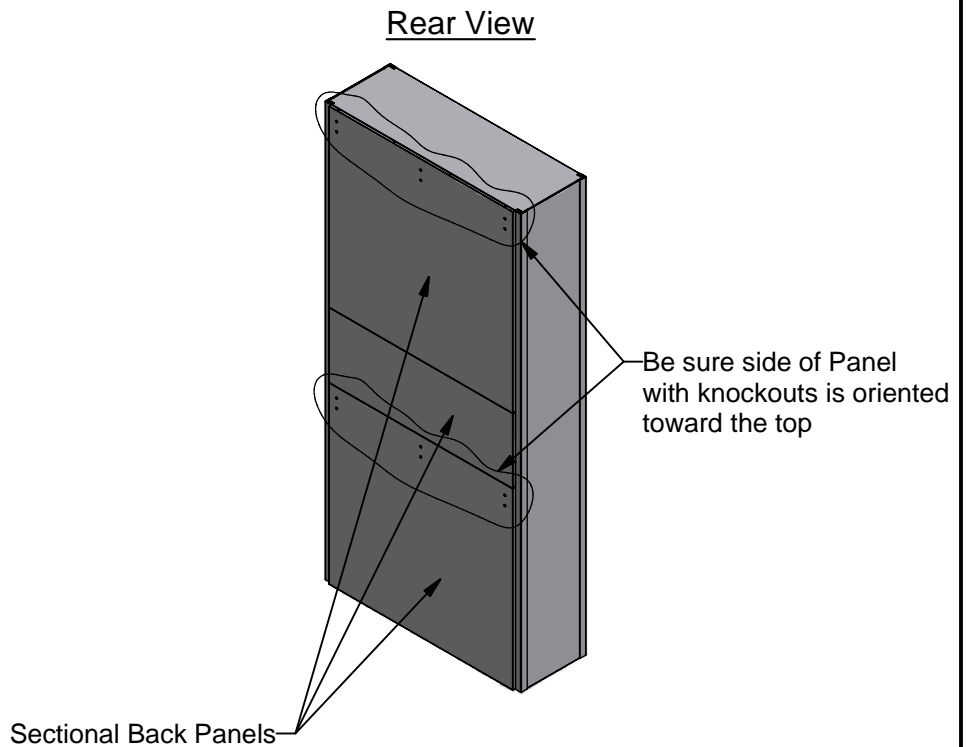


4Post Sectional Back Panel Assembly Instructions

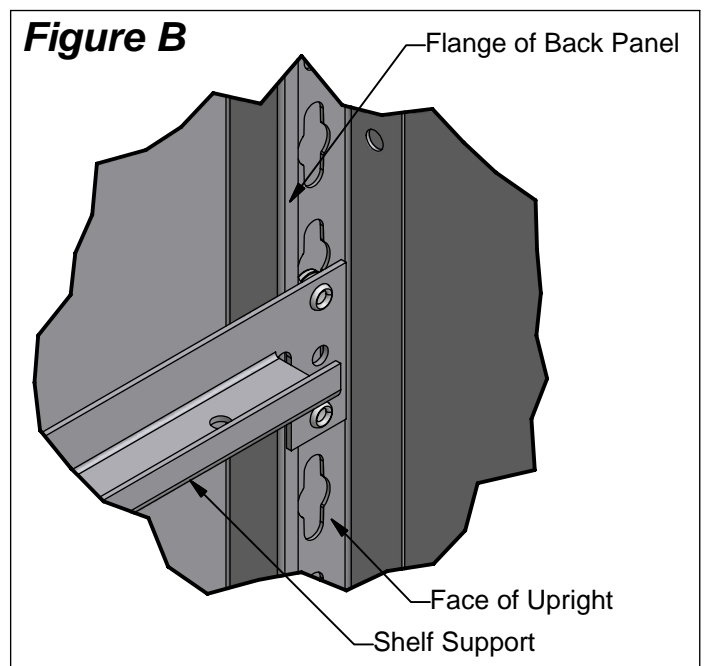
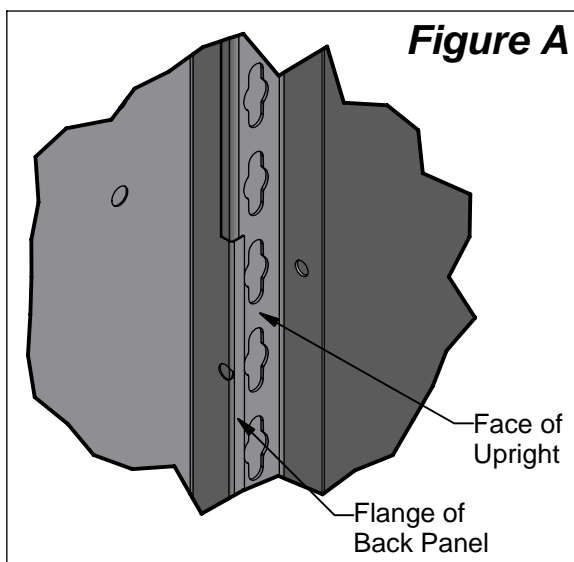


(Shelves & Front Shelf Supports removed for clarity in this view)



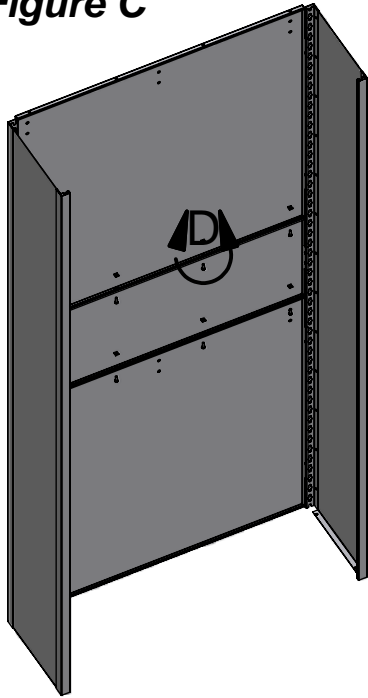
Step 1: Install Sectional Back Panels as the unit is being built from bottom to top, keep in mind that flange of Back Panels must be positioned against keyhole face of upright (Figure A). Then Shelf Supports are installed to hold Panel in place (Figure B).

Note: Actual Back Panel heights & number of Panels will vary depending on height of shelving used.



4Post Sectional Back Panel Assembly Instructions

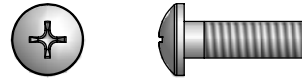
Figure C



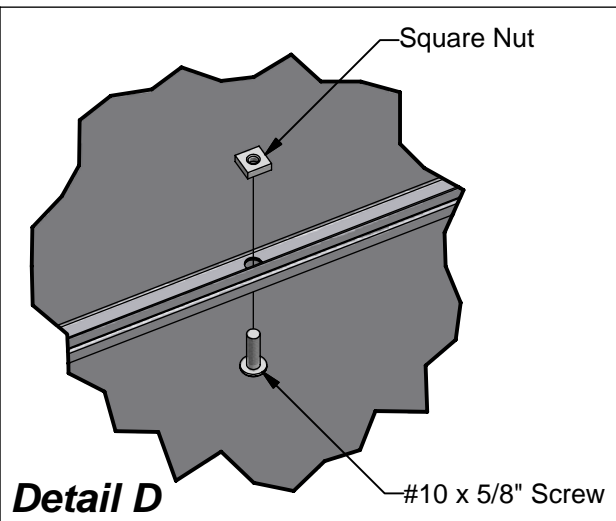
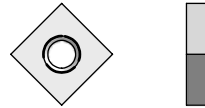
(This view shown without Shelves & Shelf Supports for clarity)

Step 2: Attach each Sectional Back Panel to each other with four #10-24 x 5/8" Phillips Pan Head Machine Screws & Square Nuts (*Figure C & Detail D*).

#10-24 x 5/8" Phillips Pan Head Machine Screw



#10-24 Square Nut



Detail D

For assembly assistance, please call 1-866-217-0330.