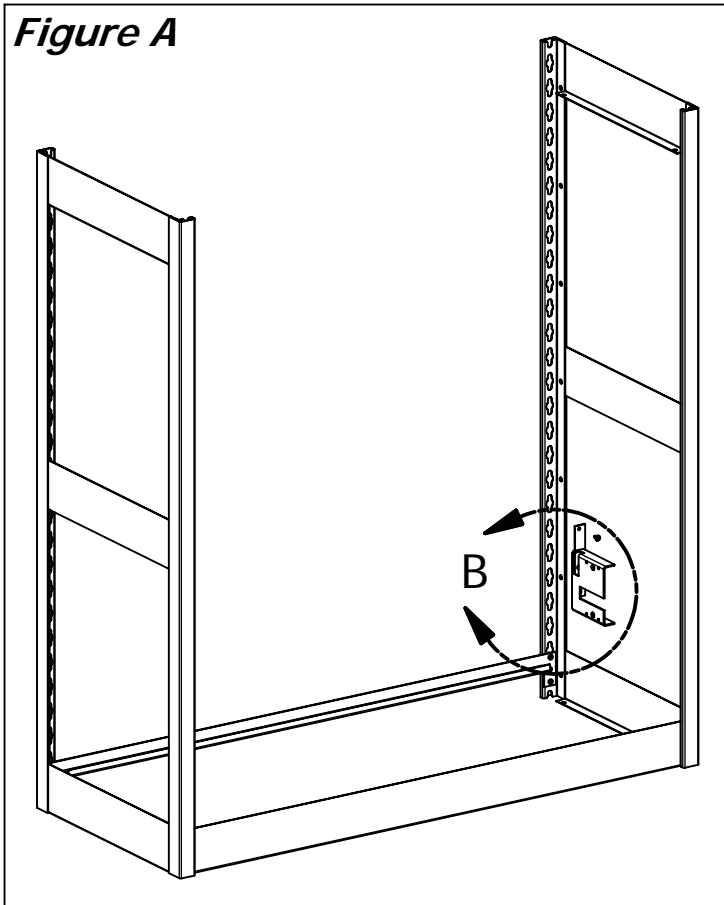


4POST PENDAFLEX DRAWER INSTALLATION INSTRUCTIONS

WARNING

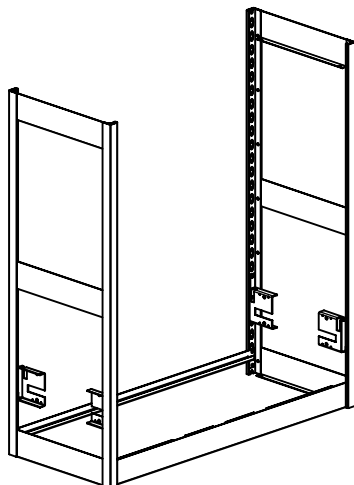
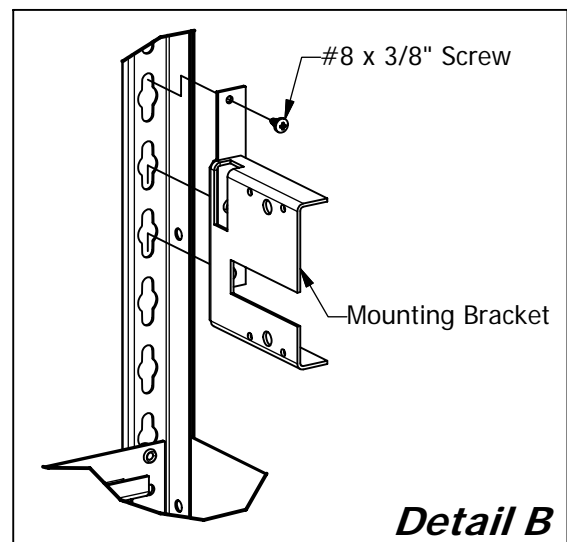
- Single entry units must be attached to wall
- Never open more than one drawer at a time
- Do not step on drawers
- When positioning drawer in unit, be certain that there is adequate clearance above & below drawer

Figure A

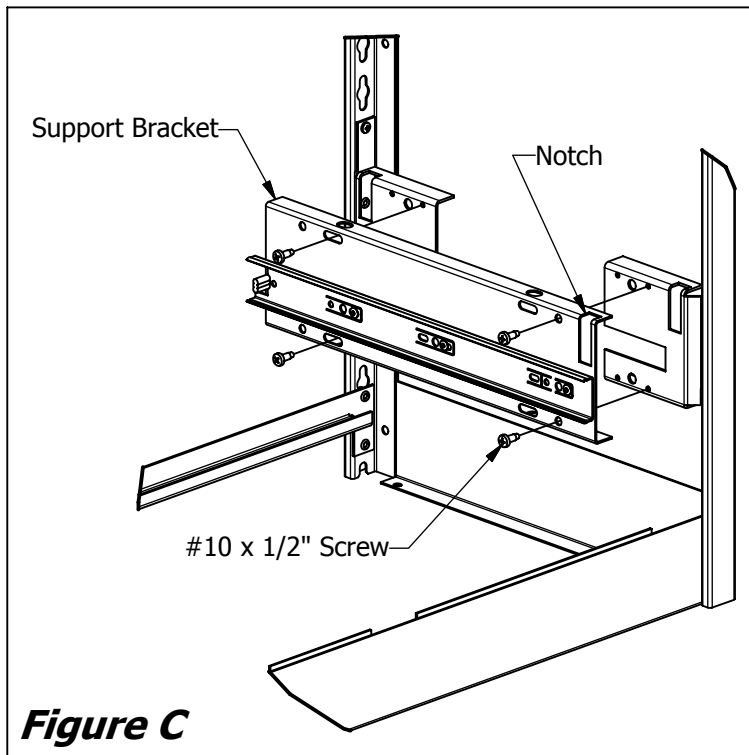


Step 1: Insert rivets of Mounting Bracket into desired location on upright. Seat rivets into bottom of slots by tapping bracket with rubber mallet. See *Figure A & Detail B*. Repeat for remaining brackets.

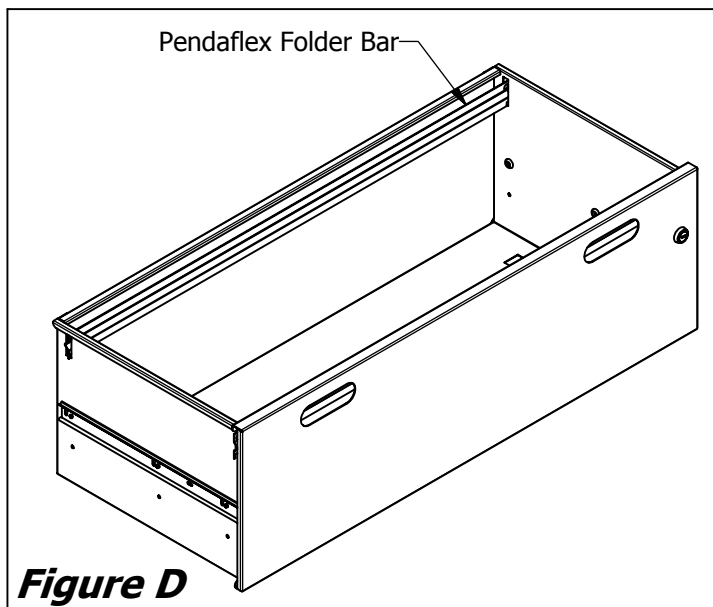
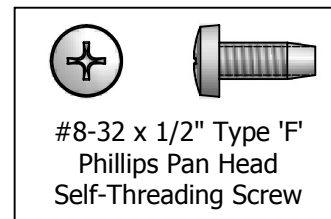
Step 2: To ensure the integrity of the support system, a #8 x 3/8" screw will be used to secure each bracket to the upright. See *Detail B*.



4POST PENDAFLEX DRAWER INSTALLATION INSTRUCTIONS

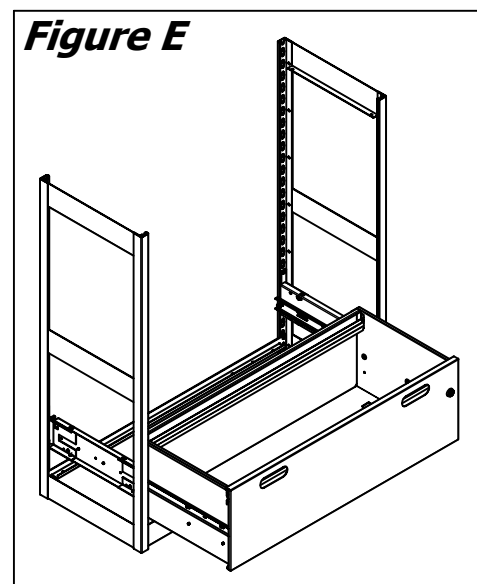


Step 3: Pay attention to orientation of suspension attached to Support Bracket before fastening to Mounting Brackets. Make sure suspensions slide out towards front of unit. Notch must be on top-front for right hand side and on top-rear for left hand side. Attach appropriate Support Bracket to each side with four #10 x 1/2" Screws as shown in *Figure C*.



Step 4: Install Pendaflex Folder Bars by simply sliding them through the slots in the side of the drawer (*Figure D*).

Step 5: Align suspensions & slide drawer into cabinet to install. See *Figure E*.



For assembly assistance contact our customer service department at 1-866-217-0330 (Monday thru Friday 8AM-5PM EST).