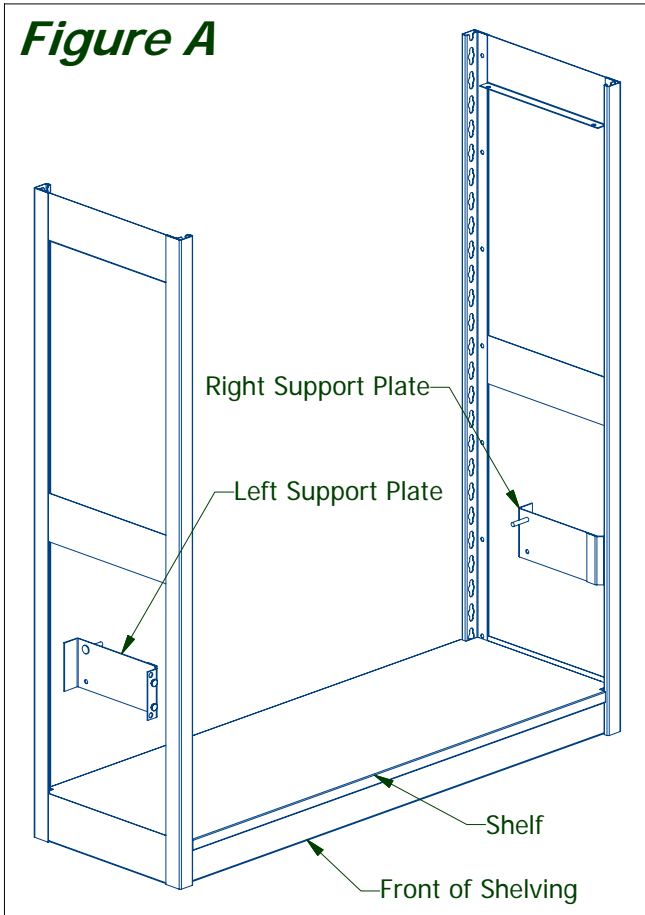
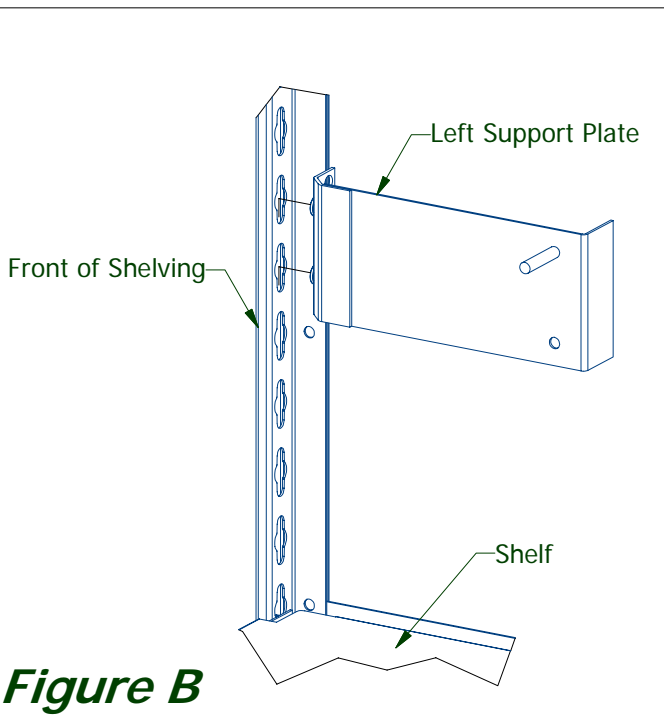


4POST MAGAZINE RACK INSTALLATION INSTRUCTIONS

Figure A

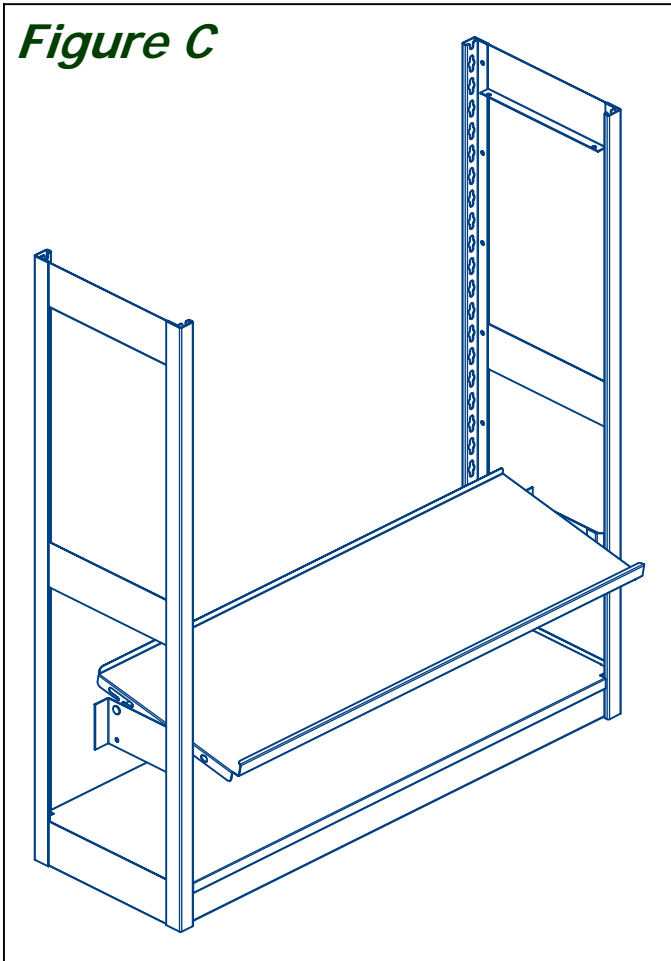


Step 1: Insert a Left & Right Support Plate as shown in *Figure A* & *Figure B*. Lower rivet of Support Plate must go in the 5th keyhole above Shelf.

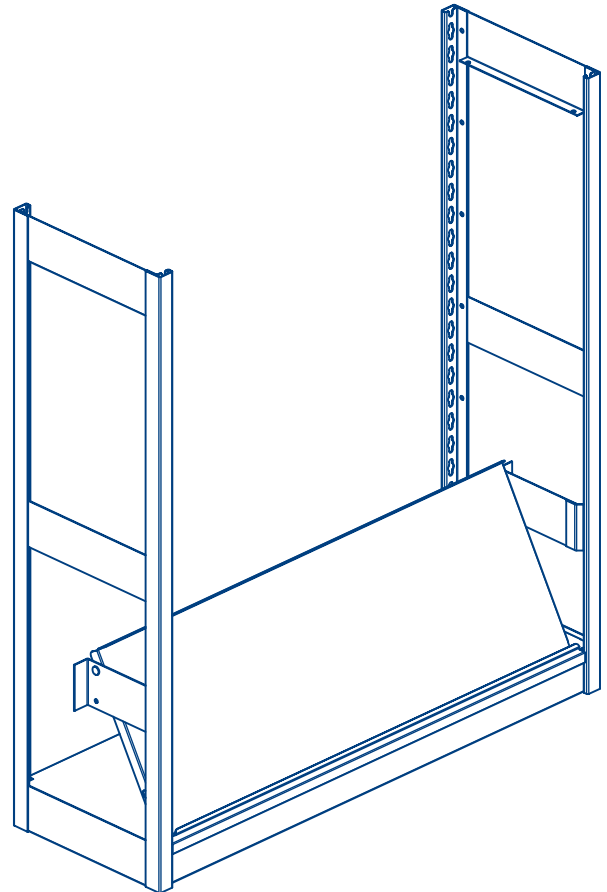


4POST MAGAZINE RACK INSTALLATION INSTRUCTIONS

Figure C



Step 2: Install Magazine Rack by simply aligning the slots on the side of the Magazine Rack with the two pins on the Support Plates as shown in *Figure C*.



If you need assembly assistance, please contact Customer Service at:
1-866-217-0330 (Monday thru Friday 8:00 AM - 5:00 PM E.S.T.)