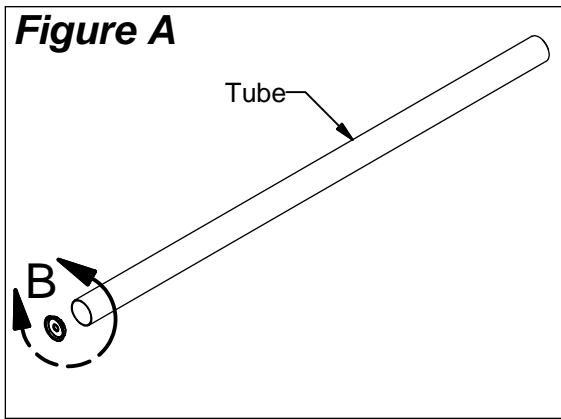


4POST GARMENT RACK ASSEMBLY INSTRUCTIONS

Figure A



Step 1: Insert a 1/4-20 Press-In Insert into each end of Tube by using a hammer to tap them in (*Figure A & Detail B*).

Detail B

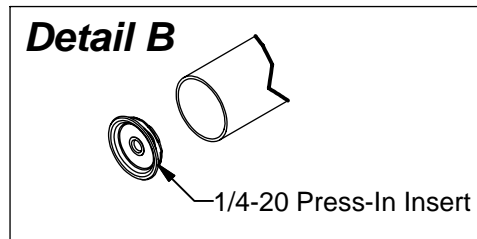
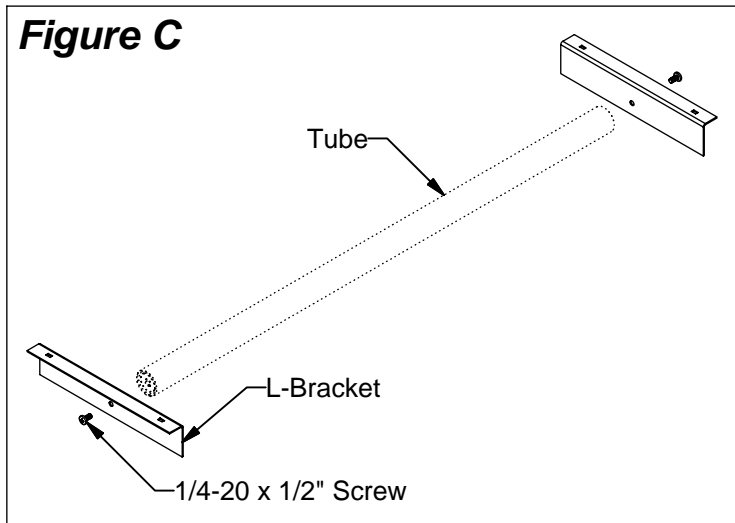


Figure C



Step 2: Attach a L-Bracket to each end of Tube with a 1/4-20 x 1/2" Phillips Pan Head Machine Screw (*Figure C*).

1/4-20 x 1/2" Phillips Pan Head Machine Screw

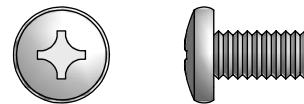
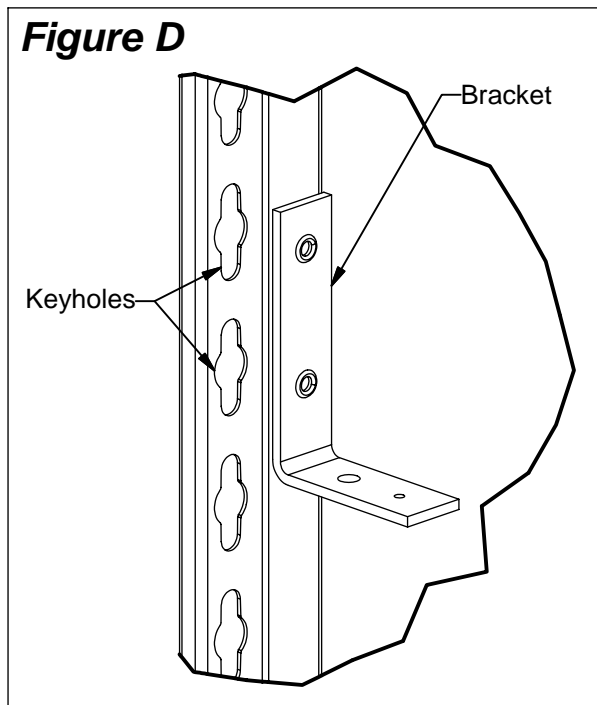
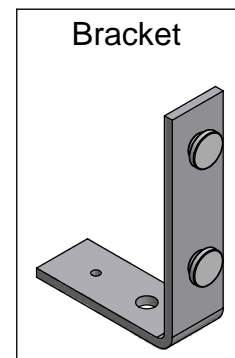


Figure D



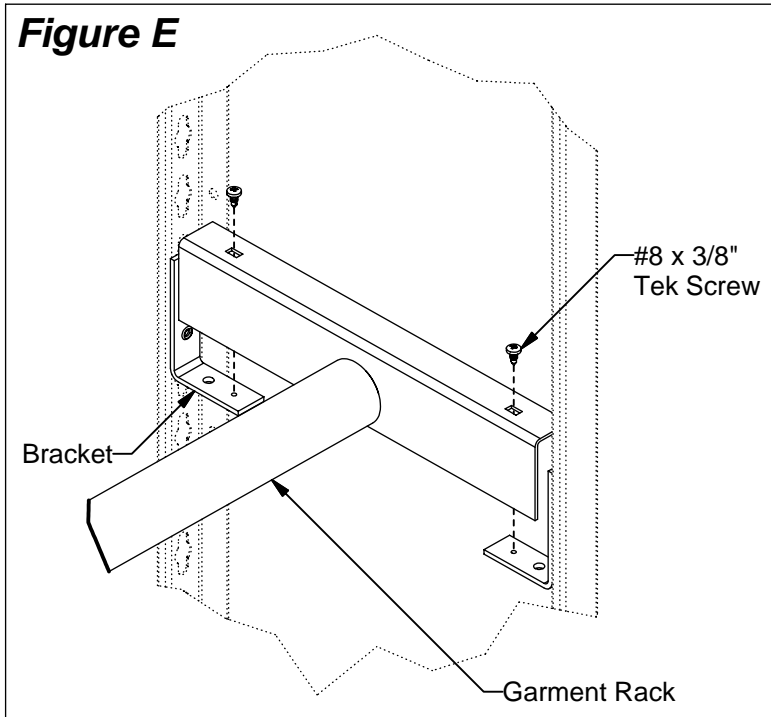
Step 3: There needs to be a Bracket attached to each corner of unit to mount Garment Rack. To install Garment Rack correctly, Brackets must be level with each other. To attach Brackets, simply seat rivets of Brackets into bottom of keyholes (*Figure D*).

Bracket



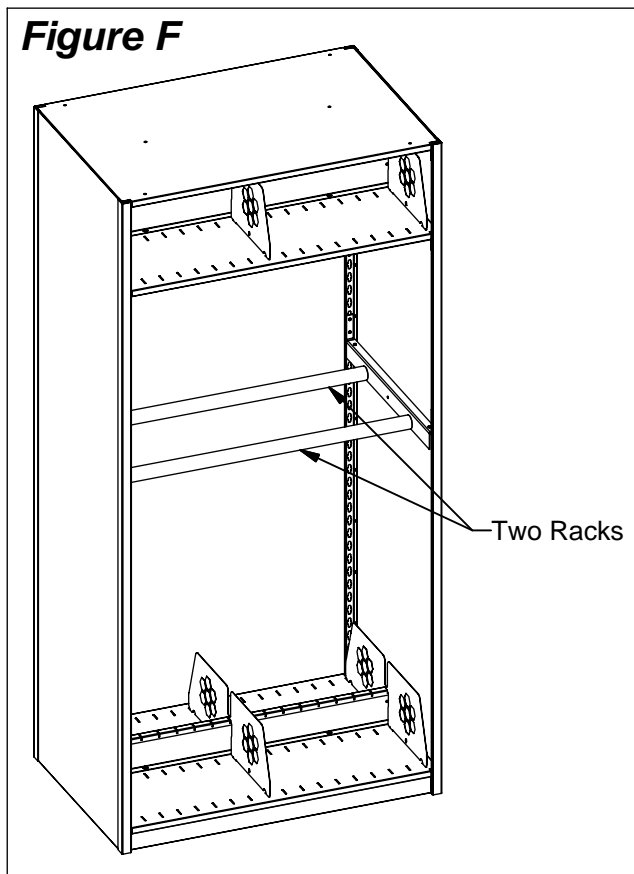
4POST GARMENT RACK ASSEMBLY INSTRUCTIONS

Figure E



Step 4: Fasten Garment Rack to Brackets with four #8 x 3/8" Tek Screws as shown in *Figure E*.

Figure F



Note:

Double Entry Units have the option of having two Racks installed (*Figure F*).

For assembly assistance, please call 1-866-217-0330.