

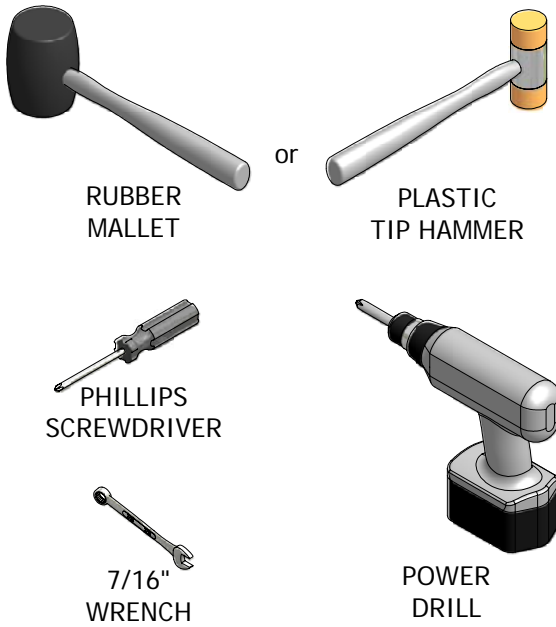
4POST HINGED ADD-ON DOORS



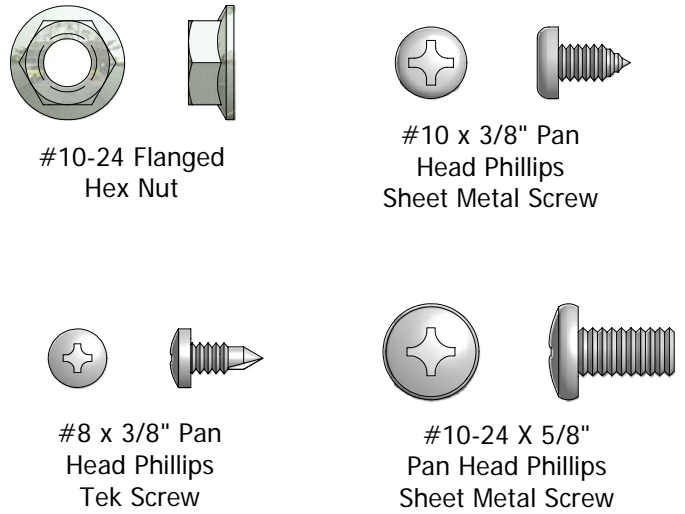
4POST HINGED ADD-ON DOORS

PLEASE OPEN ALL BOXES AND MAKE SURE THAT YOU HAVE ALL REQUIRED COMPONENTS
READ ALL INSTRUCTIONS BEFORE STARTING ASSEMBLY

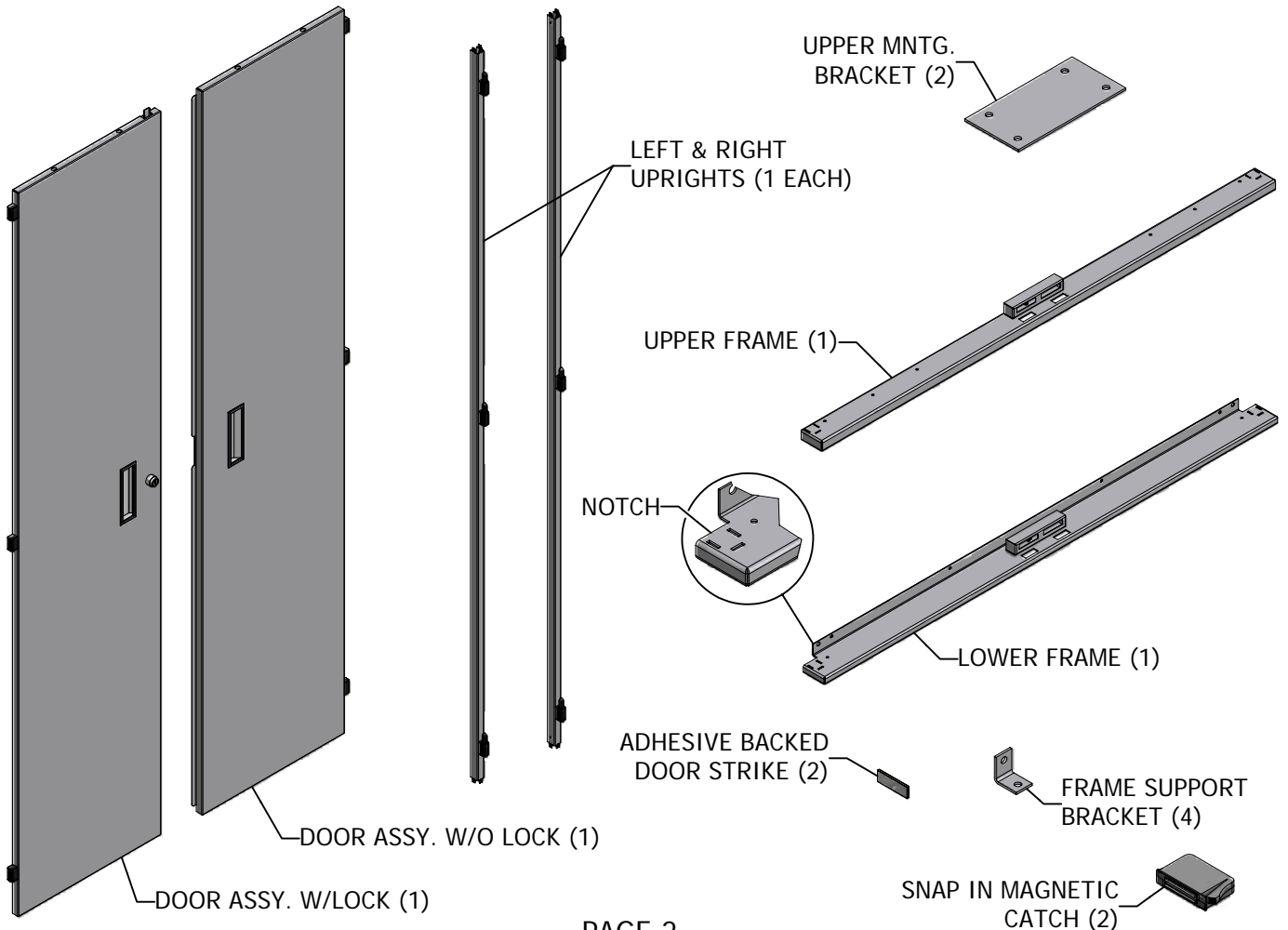
TOOLS REQUIRED FOR ASSEMBLY



INCLUDED HARDWARE

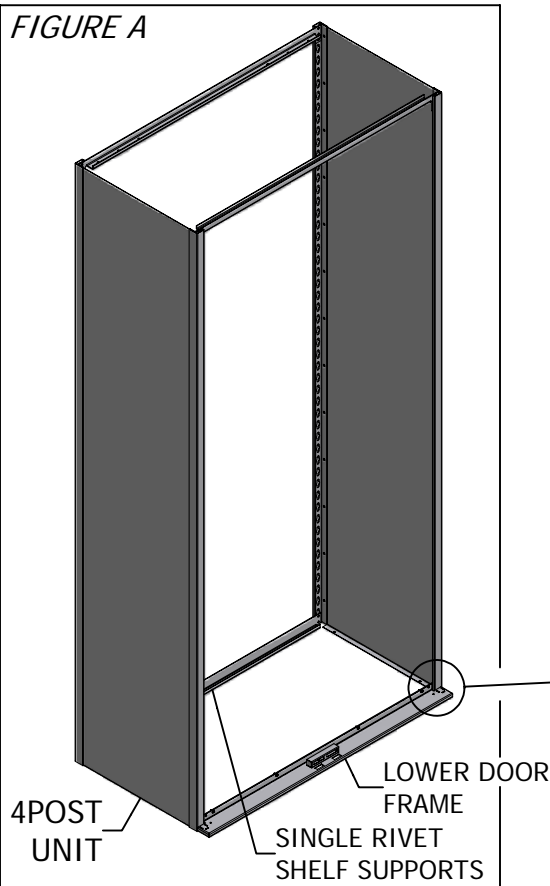


COMPONENTS



4POST HINGED ADD-ON DOORS

FIGURE A



STEP 1:

PLACE LOWER FRAME ON FLOOR IN FRONT OF 4POST UNIT AND THEN SLIDE FRAME IN AGAINST SHELF SUPPORT AS SHOWN IN FIGURE A & DETAIL B (SIMILAR FOR 4POST UNITS WITH KICK PLATES ON BOTTOM OF UNIT). MAKE SURE BASE IS CENTERED BETWEEN UPRIGHTS AND THEN USE POWER DRILL AND (4) #8 TEK SCREWS TO ATTACH FRAME TO SUPPORT (OR KICK PLATE) AS SHOWN IN DETAIL B.

DETAIL B

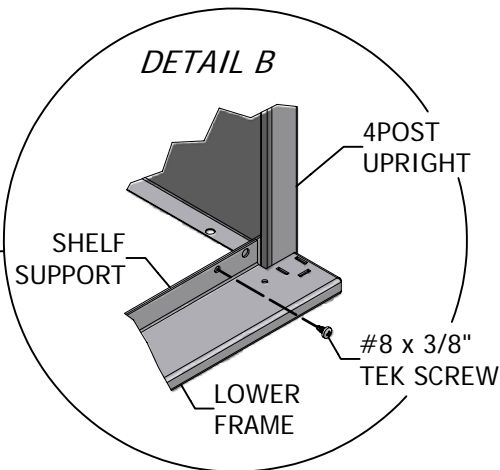
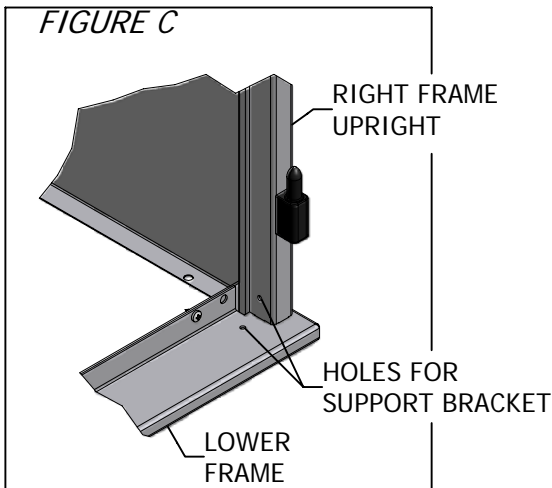


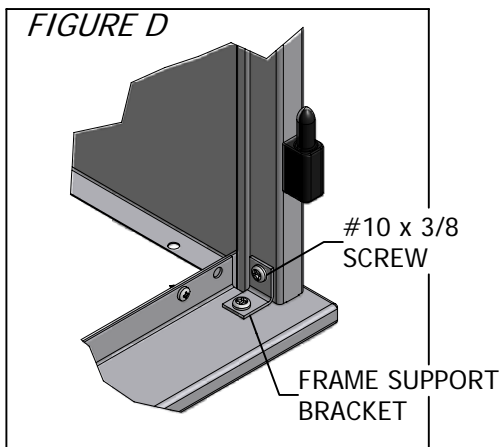
FIGURE C



STEP 2:

INSERT RIGHT UPRIGHT INTO SLOTS ON LOWER FRAME AS SHOWN IN FIGURE C MAKING SURE TO HAVE THE HOLES FOR THE SUPPORT BRACKETS AND DOOR HINGES ORIENTED AS SHOWN.

FIGURE D



STEP 3:

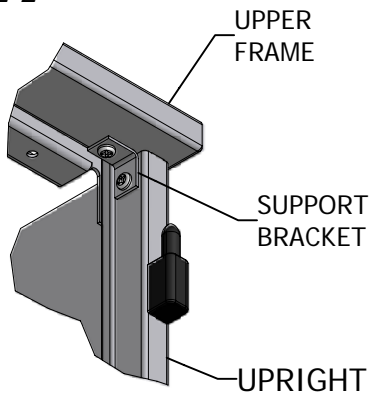
ATTACH UPRIGHT TO LOWER FRAME USING FRAME SUPPORT BRACKET AND #10 x 3/8\"

STEP 4:

REPEAT STEPS 2 & 3 TO ATTACH LEFT UPRIGHT TO LOWER FRAME

4POST HINGED ADD-ON DOORS

FIGURE E



STEP 5:

ATTACH UPPER FRAME TO LEFT AND RIGHT UPRIGHTS SIMILAR TO STEPS 2-4 AND SHOWN IN FIGURE E.

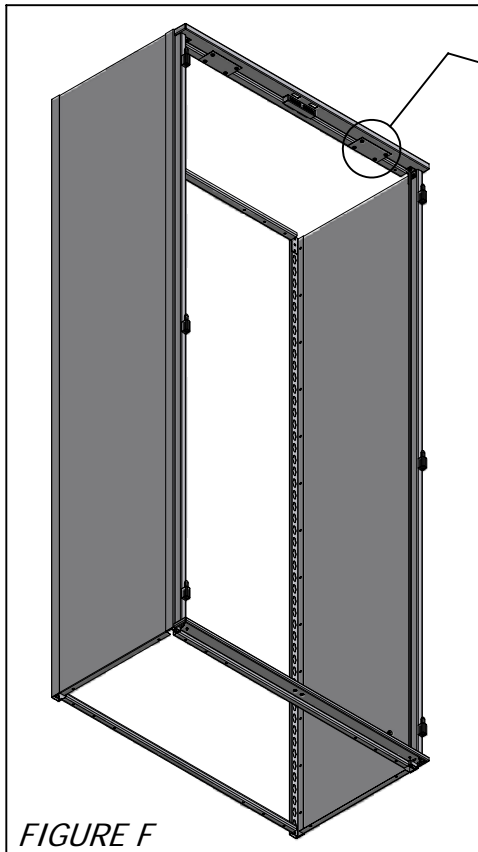
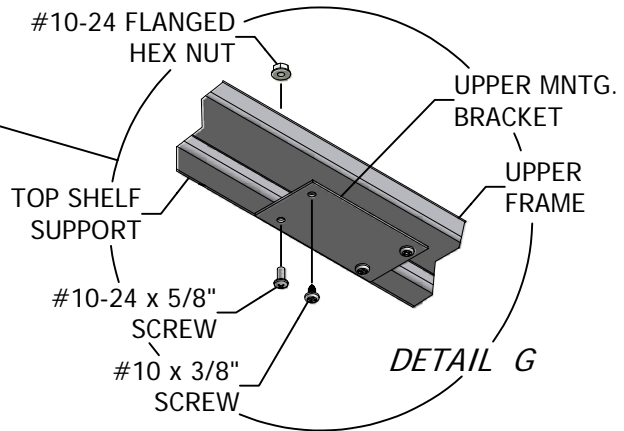


FIGURE F

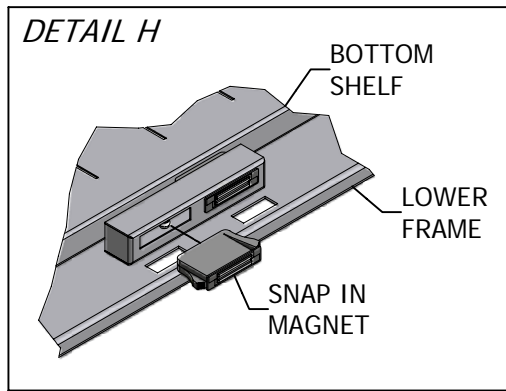


STEP 6:

SECURE UPPER FRAME TO 4POST UNIT TOP SHELF SUPPORT USING UPPER MOUNTING BRACKETS AND HARDWARE AS SHOWN IN FIGURE F AND DETAIL G.

4POST HINGED ADD-ON DOORS

DETAIL H



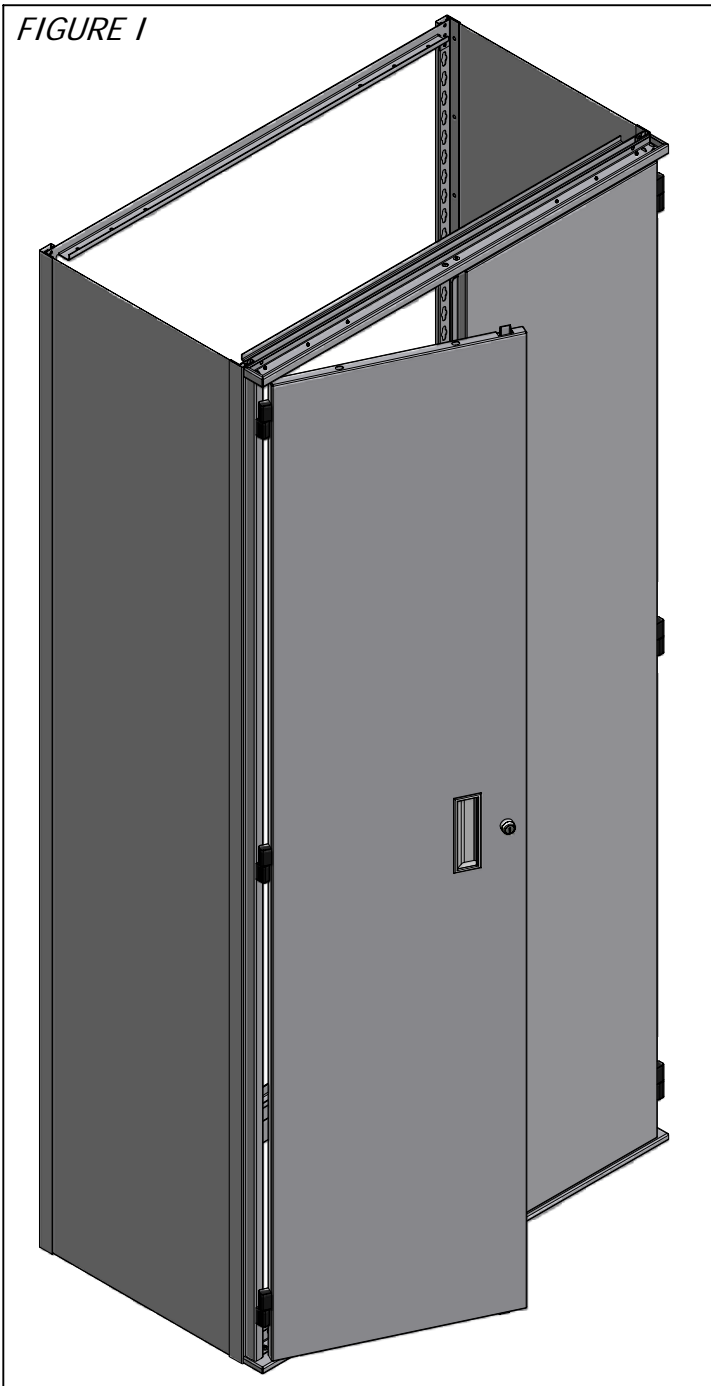
STEP 7:

WITH BOTTOM SHELF IN PLACE, INSERT (2) SNAP IN MAGNETS INTO PLACE ON LOWER FRAME AS SHOWN IN DETAIL H. REPEAT THIS PROCESS FOR THE (2) MAGNETS ON THE TOP FRAME.

STEP 8:

ATTACH DOOR PANELS TO FRAME BY SLIDING THE DOOR ONTO THE HINGES AS SHOWN IN FIGURE I. (LOCK SHOWN ON LEFT DOOR - SOME VERSIONS WILL HAVE LOCK ON RIGHT DOOR)

FIGURE I



CAUTION:

THE WEIGHT OF THE DOORS MAY CAUSE THE UNIT TO TIP FORWARD IF 4POST UNIT IS NOT PROPERLY SECURED.

STEP 9:

REMOVE PAPER FROM ADHESIVE ON DOOR STRIKE; PLACE METAL SIDE OF STRIKE AGAINST MAGNET IN UPPER FRAME THAT HOLDS THE DOOR W/LOCK CLOSED. CLOSE DOOR TIGHT AGAINST FRAME TO LOCATE STRIKE ON REAR OF DOOR PANEL. OPEN DOOR AND PRESS STRIKE FIRMLY AGAINST DOOR. REPEAT PROCESS ON LOWER FRAME.

END OF INSTRUCTIONS
FOR ASSEMBLY ASSISTANCE CONTACT
CUSTOMER SERVICE AT 1-866-217-0330
(MONDAY THRU FRIDAY 8AM-5PM EST)