

RIGID RAK 620 SERIES CLASSIC WOOD WALL RACKS

PRODUCT FEATURES:

- WALL MOUNTED, SINGLE SHELF WALL RACK SYSTEM WITH HANGER POLE.

- MOUNTING BRACKETS MADE OF SOLID WOOD; SHELVES MADE OF 3/4" DIAMETER TUBULAR STEEL; HANGER POLES MADE OF 1" DIAMETER TUBULAR STEEL.

- WOOD COMPONENTS AVAILABLE IN NATURAL OAK, MEDIUM OAK, MAHOGANY, MAPLE, OR WALNUT FINISHES (ALL WITH DOUBLE LAQUER FINISH). AVAILABLE EDGE FINISHES FOR WOOD COMPONENTS ARE PENCIL, COVE, OR RADIUS (SEE CHART BELOW)

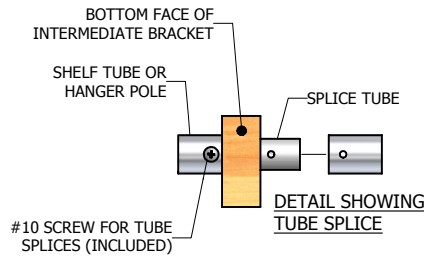
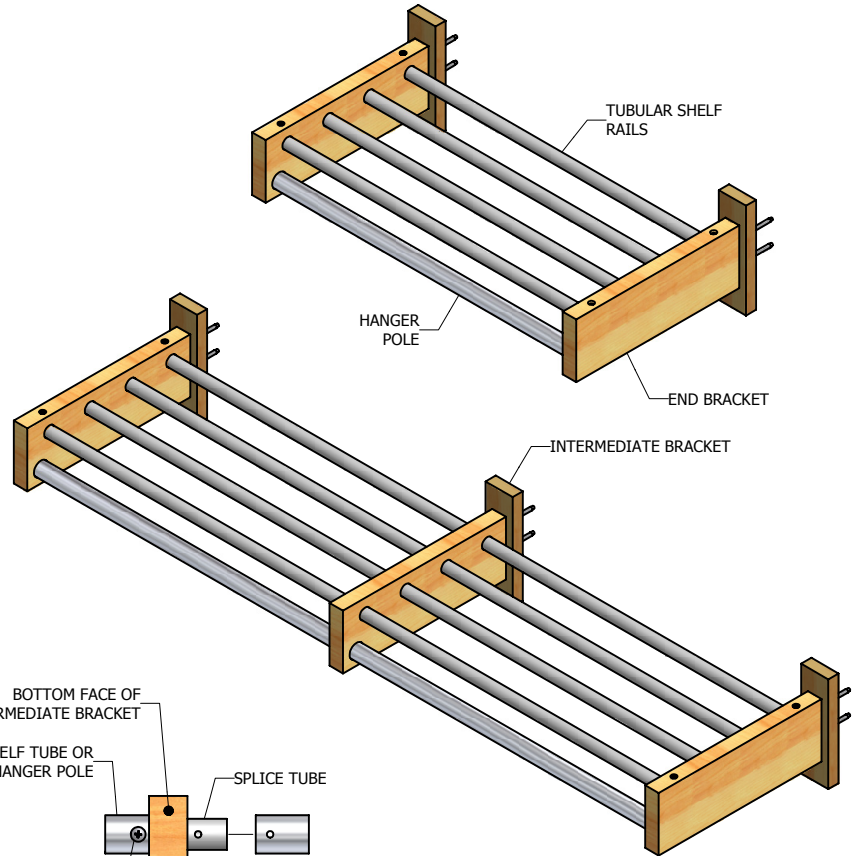
- SHELVES AVAILABLE WITH CHROME OR POWDER COAT FINISH.

- HANGER POLE AVAILABLE WITH CHROME FINISH ONLY.

- SUGGESTED (4) HANGERS PER FOOT (SOLD SEPARATELY).

- SEE CHART BELOW FOR AVAILABLE LENGTHS.

LENGTH	BRACKETS	NO. OF SPLICES
2' 0"	2	0
3' 0"	2	0
4' 0"	2	0
5' 0"	3	0
6' 0"	3	0
7' 0"	3	0
8' 0"	3	0
8' 1" to 12'	5	1
12' 1" to 16'	7	1
16' 1" to 18'	7	2
18' 1" to 24'	10	2
24' 1" to 32'	13	3
32' 1" to 35'	16	4



EDGE FINISHES:

