

# RIGID RAK 200 SERIES CHANNEL MOUNTED TUBULAR STEEL WALL RACKS

## PRODUCT FEATURES:

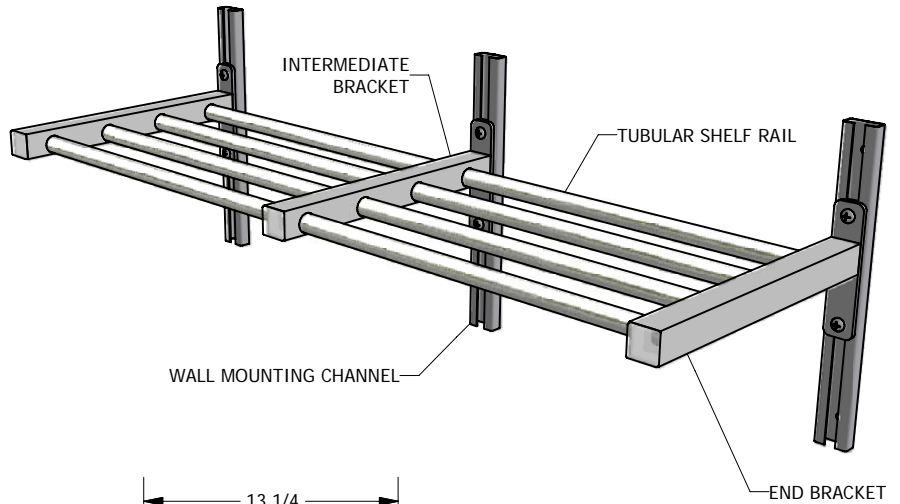
-WALL MOUNTED CHANNEL WITH ADJUSTABLE SINGLE SLIDING SHELF.

-SERIES 200 TUBULAR STEEL WALL RACKS FEATURE WALL CHANNELS FORMED FROM 16 GAGE STEEL WITH A 3/16" x 1 1/8" STEEL INSERT; MOUNTING BRACKETS MADE OF 1 1/8" x 18 GAGE SQUARE TUBING WITH A 3/16" x 1 1/8" STEEL BRACKET; AND 3/4" x 16 GAGE DIAMETER ROUND TUBING.

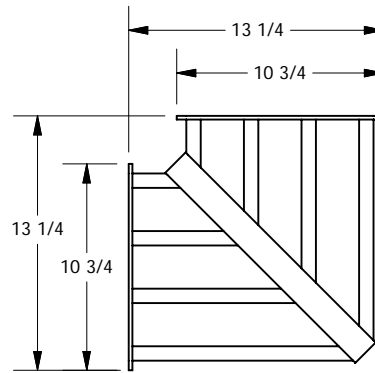
-AVAILABLE IN BRIGHT COMMERCIAL NICKEL CHROME AND EPOXY-HYBRID POWDER COAT.

-SUGGESTED FOUR HANGERS PER FOOT (SOLD SEPARATELY).

-SEE CHART BELOW FOR AVAILABLE LENGTHS.



LENGTH	BRACKETS	NO. OF SPLICES
2' 0"	2	0
3' 0"	2	0
4' 0"	2	0
5' 0"	3	0
6' 0"	3	0
7' 0"	3	0
8' 0"	3	0
8' 1" to 16'	5	1
16' 1" to 24'	7	2
24' 1" to 32'	9	3
32' 1" to 35'	11	4



### CORNER SHELF

MODEL 201  
ACTUAL SPACE WHEN INSTALLED: 14 3/4"  
FROM INSIDE CORNER

### DETAIL SHOWING TUBE SPLICE

